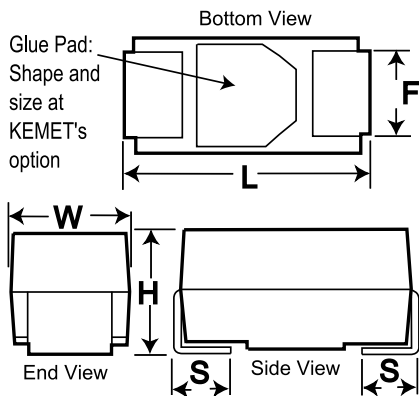


KEMET Part Number: A700V336M010ATE028
(A700V336M010AS)

Polymer Aluminum, 125C, KEMET, A700, 33 uF, 20%, 10 V, -55/+125C



General Information	
Dielectric:	Polymer Aluminum
Style:	SMD Chip
Supplier:	KEMET
Series:	A700
Footprint:	7343
Description:	Surface Mount, Polymer Aluminum
RoHS:	Yes
Termination:	Tin
Notes:	V/7343-20

Dimensions	
L	7.3mm +/-0.3mm
W	4.3mm +/-0.3mm
H	2mm MAX
S	1.3mm +/-0.3mm
F	2.4mm +/-0.1mm

Packaging Specifications	
Weight:	132.72 mg
Packaging:	T&R, 180mm
Packaging Quantity:	1000

Specifications	
Capacitance:	33 uF
Capacitance Tolerance:	20%
Voltage DC:	10 VDC
Temperature Range:	-55/+125C
Rated Temperature:	125C
Dissipation Factor:	6%
Resistance:	28 mOhms (100kHz)
Current:	3100 mAmps (100kHz)
Leakage:	13.2 uAmps (5min 20C)