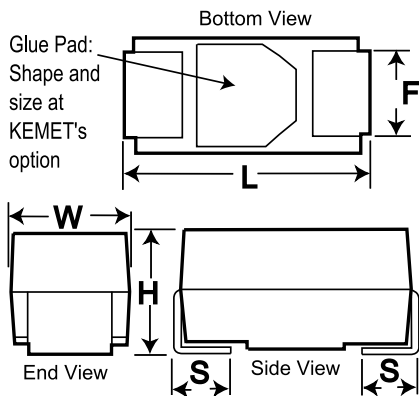


**KEMET Part Number: A700V476M006ATE028**  
(A700V476M006AS)

Polymer Aluminum, 125C, KEMET, A700, 47 uF, 20%, 6.3 V, -55/+125C



General Information	
<b>Dielectric:</b>	Polymer Aluminum
<b>Style:</b>	SMD Chip
<b>Supplier:</b>	KEMET
<b>Series:</b>	A700
<b>Footprint:</b>	7343
<b>Description:</b>	Surface Mount, Polymer Aluminum
<b>RoHS:</b>	Yes
<b>Termination:</b>	Tin
<b>Notes:</b>	V/7343-20

Dimensions	
<b>L</b>	7.3mm +/-0.3mm
<b>W</b>	4.3mm +/-0.3mm
<b>H</b>	2mm MAX
<b>S</b>	1.3mm +/-0.3mm
<b>F</b>	2.4mm +/-0.1mm

Packaging Specifications	
<b>Weight:</b>	132.72 mg
<b>Packaging:</b>	T&R, 180mm
<b>Packaging Quantity:</b>	1000

Specifications	
<b>Capacitance:</b>	47 uF
<b>Capacitance Tolerance:</b>	20%
<b>Voltage DC:</b>	6.3 VDC
<b>Temperature Range:</b>	-55/+125C
<b>Rated Temperature:</b>	125C
<b>Dissipation Factor:</b>	6%
<b>Resistance:</b>	28 mOhms (100kHz)
<b>Current:</b>	3100 mAmps (100kHz)
<b>Leakage:</b>	11.844 uAmps (5min 20C)