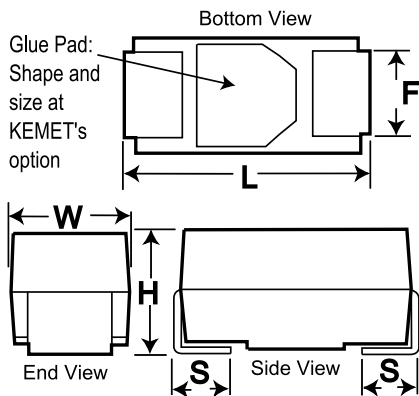


KEMET Part Number: A700X157M006ATE015
(A700X157M006AS)

Polymer Aluminum, 125C, KEMET, A700, 150 uF, 20%, 6.3 V, -55/+125C



General Information	
Dielectric:	Polymer Aluminum
Style:	SMD Chip
Supplier:	KEMET
Series:	A700
Footprint:	7343
Description:	Surface Mount, Polymer Aluminum
RoHS:	Yes
Termination:	Tin
Notes:	X/7343-43

Dimensions	
L	7.3mm +/-0.3mm
W	4.3mm +/-0.3mm
H	4mm +/-0.3mm
S	1.3mm +/-0.3mm
F	2.4mm +/-0.1mm

Packaging Specifications	
Weight:	305.03 mg
Packaging:	T&R, 180mm
Packaging Quantity:	500

Specifications	
Capacitance:	150 uF
Capacitance Tolerance:	20%
Voltage DC:	6.3 VDC
Temperature Range:	-55/+125C
Rated Temperature:	125C
Dissipation Factor:	6%
Resistance:	15 mOhms (100kHz)
Current:	3900 mAmps (100kHz)
Leakage:	37.8 uAmps (5min 20C)