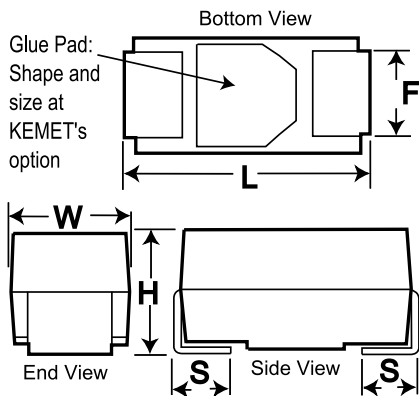


Polymer Aluminum, 125C, KEMET, A700, 470 uF, 20%, 2 V, -55/+125C



General Information	
Dielectric:	Polymer Aluminum
Style:	SMD Chip
Supplier:	KEMET
Series:	A700
Footprint:	7343
Description:	Surface Mount, Polymer Aluminum
RoHS:	Yes
Termination:	Tin
Notes:	X/7343-43

Dimensions	
L	7.3mm +/-0.3mm
W	4.3mm +/-0.3mm
H	4mm +/-0.3mm
S	1.3mm +/-0.3mm
F	2.4mm +/-0.1mm

Packaging Specifications	
Weight:	305.03 mg
Packaging:	T&R, 180mm
Packaging Quantity:	500

Specifications	
Capacitance:	470 uF
Capacitance Tolerance:	20%
Voltage DC:	2 VDC
Temperature Range:	-55/+125C
Rated Temperature:	125C
Dissipation Factor:	6%
Resistance:	7 mOhms (100kHz)
Current:	5700 mAmps (100kHz)
Leakage:	56.4 uAmps (5min 20C)