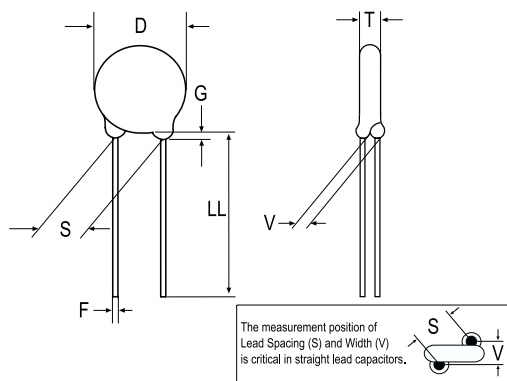


Capacitor, Ceramic, 47 pF, +/-20% Tol, 760 V, Y5S, Lead Spacing=12.5 mm



General Information	
Supplier:	KEMET
Application:	Safety:X1/Y1
Approvals:	UL, CSA, ENEC
Temperature Coefficient:	Y5S
Body Type:	Radial Disc
Lead Form:	Wire Leads
Termination Type:	Tin (Sn)
RoHS:	Yes

Dimensions (mm)		
Symbol	Dimension	Tolerance
D	8	MAX
T	6	MAX
S	12.5	NOM
LL	10	+/-1
F	0.6	+/-0.05
G	3	MAX

Specifications	
Capacitance:	47 pF
Voltage:	760 VAC (X1)
Voltage:	500 VAC (Y1)
Tolerance:	+/-20%
Temperature Range:	-40/+125C
Dissipation Factor:	2.5%
Insulation Resistance:	10 GOhm

Packaging Specifications	
Package Kind:	Bulk
Package Type:	Bag