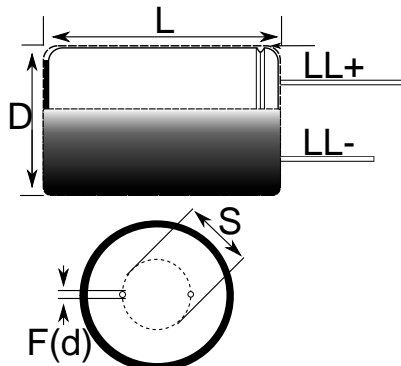


KEMET Part Number: ESK477M100AM7AA
(ESK477M100AM7AAPLP)

Aluminum Electrolytic, 85C, KEMET, ESK, 470 uF, 20%, 100 V, -40/+85C, 25mm, Lead Spacing = 7.5mm



Note: '()' correspond to the letters used in the product bulletin

Dimensions	
D	16mm +/-0.5mm
L	25mm +2mm
S	7.5mm +/-0.5mm
LL Negative	15mm MIN
LL Positive	20mm MIN
F	0.8mm NOM

Packaging Specifications	
Packaging:	Bulk, Bag
Packaging Quantity:	1000

General Information	
Dielectric:	Aluminum Electrolytic
Supplier:	KEMET
Series:	ESK
Description:	Single Ended, Aluminum Electrolytic
RoHS:	Yes
Lead:	Wire Leads

Specifications	
Capacitance:	470 uF
Capacitance Tolerance:	20%
Voltage DC:	100 VDC, 125 VDC (Surge)
Temperature Range:	-40/+85C
Rated Temperature:	85C
Life:	2000 Hrs
Dissipation Factor:	10% 120Hz 20C
Current:	1100 mAmps (120Hz 85C)
Leakage:	470 uAmps (2min 20C)
Impedance Ratio at -25C:	3
Impedance Ratio at -40C:	3