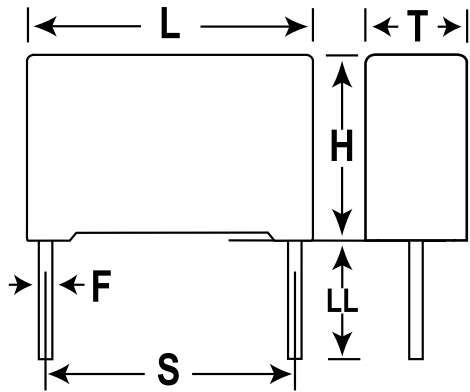


KEMET Part Number: PHE840MB6100MB05R17
(F840BE104M275A)



Capacitor, Film, Metallized Polypropylene, 0.1 uF, +/-20% Tol, -55/+105C, Safety: X2, 275 VAC, Lead Spacing=15 mm, Not For New Design, Please Check Possible Alternative Parts (AltPart)



Dimensions (mm)		
Symbol	Dimension	Tolerance
L	18	MAX
H	12.5	MAX
T	5.5	MAX
S	15	+/-0.4
LL	17	NOM
F	0.8	NOM

Packaging Specifications	
Package Kind:	Bulk
Package Quantity:	800

General Information	
Supplier:	KEMET
Dielectric:	Metallized Polypropylene
Application:	Safety: X2
Style:	Radial Box
Lead Form:	Wire Leads
Features:	Pulse
Approvals:	ENEC,UL,cUL
RoHS:	Yes

Specifications	
Capacitance:	0.1 uF
Voltage:	760 VDC
Tolerance:	+/-20%
Voltage AC:	275 VAC
Rated Temperature:	105C
Temperature Range:	-55/+105C
Dissipation Factor @ 1 kHz:	0.1%
Dissipation Factor @ 10 kHz:	0.2%
Dissipation Factor @ 100kHz:	0.6%
Insulation Resistance:	30 GOhm
Maximum dVdT:	100 v/us
Miscellaneous:	Not For New Design, Please Check Possible Alternative Parts (AltPart)

Statements of suitability for certain applications are based on our knowledge of typical operating conditions for such applications, but are not intended to constitute - and we specifically disclaim - any warranty concerning suitability for a specific customer application or use. This Information is intended for use only by customers who have the requisite experience and capability to determine the correct products for their application. Any technical advice inferred from this Information or otherwise provided by us with reference to the use of our products is given gratis, and we assume no obligation or liability for the advice given or results obtained.



© 2006-2016 IntelliData.net