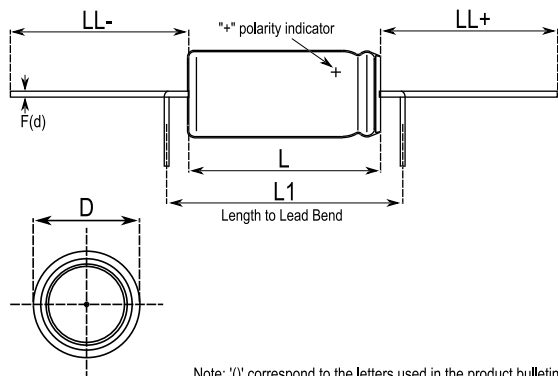


Aluminum Electrolytic, 125C, KEMET, PEG124_125C, 1500 uF, -10/+30%, 25 V, -40/+125C



Dimensions	
D	20mm +/-0.5mm
L	46mm +/-1mm
L1	52mm MIN
LL Negative	42mm +3/-2mm
LL Positive	42mm +3/-2mm
F	1mm +/-0.03mm

Packaging Specifications	
Weight:	24 g
Packaging:	Bulk
Packaging Quantity:	100

General Information	
Dielectric:	Aluminum Electrolytic
Style:	Axial
Supplier:	KEMET
Series:	PEG124_125C
Description:	Long Life Axial Aluminum Electrolytic
Features:	Long Life
RoHS:	Yes
Lead:	Wire Leads
Miscellaneous:	Life Calculation Based On Maximum Ripple Current, Please Contact Kemet For More Information
Notes:	L1 is KEMETs recommendation for minimum distance between symmetrical Lead bend. Available only for Customer specific part numbers. Lead bend dimensions must be specified and confirmed per article.

Specifications	
Capacitance:	1500 uF
Capacitance Tolerance:	-10/+30%
Voltage DC:	25 VDC
Temperature Range:	-40/+125C
Rated Temperature:	125C
Life:	6000 Hrs
Resistance:	90 mOhms (100Hz 20C), 50 mOhms (100kHz 20C)
Current:	1.659 Amps (100Hz 125C), 8.9 Amps (5kHz 60C), 3.2 Amps (5kHz 125C)
Leakage:	113 uAmps (5min 20C)
Inductance:	17 nH (ESL)