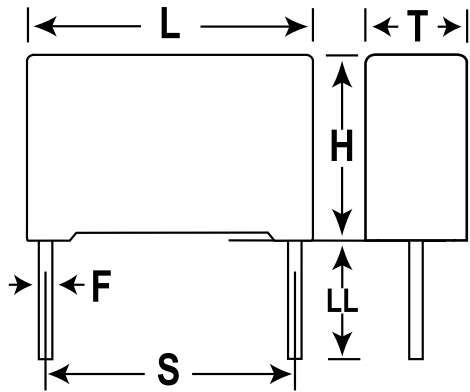


Film, Metallized Polypropylene, Safety, KEMET, R46, 0.47 uF, 20%, 560 V, 275 V, 110C, Lead Spacing = 15mm



Dimensions

L	18mm +0.5mm
H	18.5mm +0.1mm
T	7.5mm +0.2mm
S	15mm +/-0.4mm
LL	3.5mm +0.5/-0mm
F	0.8mm +/-0.05mm

Packaging Specifications

Packaging:	Bulk
Packaging Quantity:	900

General Information

Dielectric:	Metallized Polypropylene
Style:	Radial
Supplier:	KEMET
Series:	R46
Features:	Pulse
RoHS:	Yes
Lead:	Cut

Specifications

Capacitance:	0.47 uF
Capacitance Tolerance:	20%
Voltage DC:	560 VDC
Voltage AC:	275 VAC
Temperature Range:	-40/+110C
Rated Temperature:	110C
Dissipation Factor:	0.1% 1kHz
Insulation Resistance:	63.8298 GOhms
Max dVdt:	400 V
Safety Class:	X2