



# Positive High-Voltage, Hot-Swap Controllers with Selectable Fault Management and Status Polarity

## General Description

The MAX5934/MAX5934A are fully integrated hot-swap controllers for +9V to +80V (MAX5934A) positive supply rails. The MAX5934 is optimized for +33V to +80V power-supply rails. These devices allow for the safe insertion and removal of circuit cards into a live backplane without causing glitches on the backplane power-supply rail. The MAX5934/MAX5934A feature a programmable analog foldback current limit, programmable undervoltage lockout, and programmable output-voltage slew rate through an external n-channel MOSFET. In addition, if these devices remain in current limit for more than a programmable time, the external n-channel MOSFET latches off.

The MAX5934/MAX5934A feature pin-selectable PWRGD\_ assertion polarity (active low or active high) and pin-selectable fault management (latched or autoretry). Other features include automatic restart after a circuit-breaker fault, selectable duty-cycle (DC) options, and thermal-shutdown mode for overtemperature protection.

The MAX5934/MAX5934A operate in the extended (-40°C to +85°C) temperature range and are available in a 16-pin QSOP package.

## Applications

Hot Board Insertion  
Electronic Circuit Breakers  
Industrial High-Side Switch/Circuit Breakers  
Network Routers and Switches  
24V/48V Industrial/Alarm Systems

*Typical Application Circuit appears at end of data sheet.*

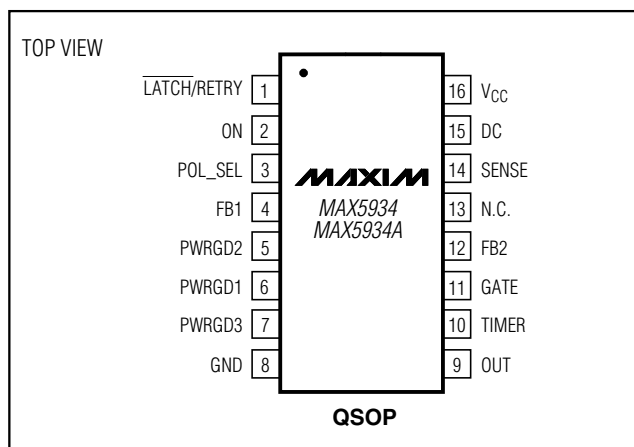
## Features

- ◆ Provides Safe Hot Swap for +9V to +80V Power Supplies (MAX5934A)
- ◆ Safe Board Insertion and Removal from a Live Backplane
- ◆ Pin-Selectable Active-Low or Active-High Power-Good Output
- ◆ Pin-Selectable Latched or Autoretry Fault Management
- ◆ Programmable Foldback Current Limiting
- ◆ High-Side Drive for an External N-Channel MOSFET
- ◆ Built-In Thermal Shutdown
- ◆ Undervoltage Lockout (UVLO)
- ◆ Pin-Selectable Duty-Cycle Options (0.94%, 1.88%, 3.75%)

## Ordering Information

PART	TEMP RANGE	PIN-PACKAGE
MAX5934EEE	-40°C to +85°C	16 QSOP
MAX5934AEEE	-40°C to +85°C	16 QSOP

## Pin Configuration



## Selector Guide

PART	DEFAULT UVLO (V)	SUPPLY VOLTAGE RANGE (V)	LATCHED/AUTORETRY FAULT PROTECTION	DUTY CYCLE	PWRGD_ OUTPUT LOGIC
MAX5934	31	+33 to +80	Pin-selectable	Pin-selectable	Pin-selectable
MAX5934A	8.3	+9 to +80	Pin-selectable	Pin-selectable	Pin-selectable



# Positive High-Voltage, Hot-Swap Controllers with Selectable Fault Management and Status Polarity

## ABSOLUTE MAXIMUM RATINGS

(Voltages referenced to GND.)

V <sub>CC</sub> .....	-0.3V to +85V
SENSE, FB <sub>-</sub> , ON.....	-0.3V to (V <sub>CC</sub> + 0.3V)
TIMER, PWRGD <sub>-</sub> , DC, LATCH/RETRY, POL_SEL.....	-0.3V to +85V
GATE.....	-0.3V to +95V
OUT.....	(V <sub>GATE</sub> - 14V) to the lower of (V <sub>GATE</sub> + 0.3V) and (V <sub>CC</sub> + 0.3V)
Maximum GATE Current.....	-50mA, +150mA
Maximum Current into Any Other Pin.....	±50mA

Continuous Power Dissipation (T<sub>A</sub> = +70°C)

16-Pin QSOP (derate 8.3mW/°C above +70°C).....	667mW
Operating Temperature Range.....	-40°C to +85°C
Maximum Junction Temperature.....	+150°C
Storage Temperature Range.....	-60°C to +150°C
ESD Rating (Human Body Model).....	2000V
Lead Temperature (soldering, 10s).....	+300°C

Stresses beyond those listed under "Absolute Maximum Ratings" may cause permanent damage to the device. These are stress ratings only, and functional operation of the device at these or any other conditions beyond those indicated in the operational sections of the specifications is not implied. Exposure to absolute maximum rating conditions for extended periods may affect device reliability.

## ELECTRICAL CHARACTERISTICS

(V<sub>CC</sub> = +24V (MAX5934A), V<sub>CC</sub> = +48V (MAX5934), GND = 0V, T<sub>A</sub> = -40°C to +85°C, unless otherwise noted. Typical values are at T<sub>A</sub> = +25°C.) (Note 1)

PARAMETER	SYMBOL	CONDITIONS	MIN	TYP	MAX	UNITS	
Supply Voltage Range	V <sub>CC</sub>	MAX5934A	9		80	V	
		MAX5934	33		80		
Supply Current	I <sub>CC</sub>	V <sub>ON</sub> = 3V, V <sub>CC</sub> = 80V		1.4	3.5	mA	
V <sub>CC</sub> Undervoltage Lockout	V <sub>LKO</sub>	V <sub>CC</sub> low-to-high transition	MAX5934A	7.5	8.3	8.8	V
			MAX5934	29.5	31	32.5	
V <sub>CC</sub> Undervoltage-Lockout Hysteresis	V <sub>LKOHYST</sub>	MAX5934A		0.4		V	
		MAX5934		2			
FB1 High-Voltage Threshold	V <sub>FB1H</sub>	FB1 low-to-high transition	1.280	1.313	1.345	V	
FB2 High-Voltage Threshold	V <sub>FB2H</sub>	FB2 low-to-high transition	1.280	1.313	1.345	V	
FB1 Low-Voltage Threshold	V <sub>FB1L</sub>	FB1 high-to-low transition	1.221	1.233	1.245	V	
FB2 Low-Voltage Threshold	V <sub>FB2L</sub>	FB2 high-to-low transition	1.202		1.264	V	
FB <sub>-</sub> Hysteresis	V <sub>FBHYST</sub>			80		mV	
FB <sub>-</sub> Input Bias Current	I <sub>INFB</sub>	V <sub>FB<sub>-</sub></sub> = 0V	-1		+1	μA	
FB1 Threshold Line Regulation	ΔV <sub>FB1</sub>	V <sub>CC(MIN)</sub> ≤ V <sub>CC</sub> ≤ 80V, MAX5934A, ON = 0V			0.05	mV/V	
FB2 Threshold Line Regulation	ΔV <sub>FB2</sub>	V <sub>CC(MIN)</sub> ≤ V <sub>CC</sub> ≤ 80V, MAX5934A, ON = 0V			0.05	mV/V	
SENSE Trip Voltage (V <sub>CC</sub> - V <sub>SENSE</sub> )	V <sub>SENSETRIP</sub>	V <sub>FB<sub>-</sub></sub> = 0V, T <sub>A</sub> = 0°C to +70°C	8	12	17	mV	
		V <sub>FB<sub>-</sub></sub> = 1V, T <sub>A</sub> = 0°C to +70°C	39	47	55		
GATE Pullup Current	I <sub>GATEUP</sub>	Charge pump on, V <sub>GATE</sub> = 7V	-5	-10	-20	μA	
GATE Pulldown Current	I <sub>GATEDN</sub>	Any fault condition, V <sub>GATE</sub> = 2V	35	70	100	mA	
(V <sub>GATE</sub> - V <sub>CC</sub> ) at PWRGD3 Assertion	ΔV <sub>GATEPWRGD3</sub>	V <sub>GATE</sub> - V <sub>CC</sub> , low-to-high transition	3.8	4.3	5	V	
External N-Channel Gate Drive	ΔV <sub>GATE</sub>	V <sub>GATE</sub> - V <sub>CC</sub> , MAX5934	10	13.6	18	V	
		V <sub>GATE</sub> - V <sub>CC</sub> , MAX5934A	V <sub>CC</sub> = 10.8V to 20V	4.5	13.6		18.0
			V <sub>CC</sub> = 20V to 80V	10	13.6		18
TIMER Pullup Current	I <sub>TIMERUP</sub>	V <sub>TIMER</sub> = 0V	-24	-75	-120	μA	

# Positive High-Voltage, Hot-Swap Controllers with Selectable Fault Management and Status Polarity

MAX5934/MAX5934A

## ELECTRICAL CHARACTERISTICS (continued)

( $V_{CC} = +24V$  (MAX5934A),  $V_{CC} = +48V$  (MAX5934),  $GND = 0V$ ,  $T_A = -40^{\circ}C$  to  $+85^{\circ}C$ , unless otherwise noted. Typical values are at  $T_A = +25^{\circ}C$ .) (Note 1)

PARAMETER	SYMBOL	CONDITIONS	MIN	TYP	MAX	UNITS	
TIMER Pulldown Current	$I_{TIMERON}$	$V_{TIMER} = 1V$	DC = 3.75%, DC = floating	1.5	3	4.5	$\mu A$
			DC = 1.88%, DC = high	0.75	1.5	2.25	
			DC = 0.94%, DC = low	0.37	0.75	1.12	
ON High Threshold	$V_{ONH}$	ON low-to-high transition	1.280	1.313	1.355	V	
ON Low Threshold	$V_{ONL}$	ON high-to-low transition	1.221	1.233	1.245	V	
ON Hysteresis	$V_{ONHYST}$			80		mV	
ON Input Bias Current	$I_{INON}$	$V_{ON} = 0V$	-1		+1	$\mu A$	
LATCH/RETRY and POL_SEL Low-Voltage Threshold	$V_{LRIL}$ , $V_{POS\_SEL\_IL}$		0.4			V	
LATCH/RETRY and POL_SEL High-Voltage Threshold	$V_{LRIH}$ , $V_{POS\_SEL\_IH}$				3.2	V	
LATCH/RETRY and POL_SEL Input Current	$I_{LR\_IN}$ , $I_{POS\_SEL\_IN}$	$V_{POL\_SEL} = 80V$		4.5		$\mu A$	
		$V_{POL\_SEL} = 0V$		-37			
Source GATE Clamp Voltage	$V_{SGZ}$	$V_{GATE} - V_{OUT}$	15	16.4	19	V	
PWRGD_ Output Low Voltage	$V_{OL}$	$I_O = 2mA$			0.4	V	
		$I_O = 4mA$			2.5		
PWRGD_ Leakage Current	$I_{OH}$	$V_{PWRGD\_} = 80V$			10	$\mu A$	
Thermal Shutdown		Temperature rising		+150		$^{\circ}C$	
Thermal-Shutdown Hysteresis				20		$^{\circ}C$	
SENSE Input Bias Current	$I_{SENSE}$	$V_{SENSE} = 0$ to $V_{CC}$	-1		+3	$\mu A$	
DC High-Voltage Threshold 1	$V_{DCHTH}$	Rising edge, DC transition from 3.75% to 1.88%	2.150	2.600	2.850	V	
DC High-Voltage Threshold 2	$V_{DCLTH}$	Rising edge, DC transition from 0.94% to 3.75%	1.075	1.250	1.425	V	
DC High-Voltage Threshold 1 Hysteresis	$V_{DCLHYS}$			45		mV	
DC High-Voltage Threshold 2 Hysteresis	$V_{DCLHYS}$			45		mV	
DC Input Open-Circuit Voltage	$V_{DCOC}$			1.9		V	
DC Input Impedance	$R_{DC\_IN}$			57		$k\Omega$	
DC Input Current	$I_{DC\_IN}$	$V_{DC} = 80V$		50		$\mu A$	
		$V_{DC} = 0V$		-34			
ON Low-to-GATE Low Propagation Delay	$t_{PHLON}$	$C_{GATE} = 0$ , Figures 1 and 2		6		$\mu s$	
ON High-to-GATE High Propagation Delay	$t_{PLHON}$	$C_{GATE} = 0$ , Figures 1 and 2		1.7		$\mu s$	

# Positive High-Voltage, Hot-Swap Controllers with Selectable Fault Management and Status Polarity

## ELECTRICAL CHARACTERISTICS (continued)

( $V_{CC} = +24V$  (MAX5934A),  $V_{CC} = +48V$  (MAX5934),  $GND = 0V$ ,  $T_A = -40^{\circ}C$  to  $+85^{\circ}C$ , unless otherwise noted. Typical values are at  $T_A = +25^{\circ}C$ .) (Note 1)

PARAMETER	SYMBOL	CONDITIONS	MIN	TYP	MAX	UNITS
FB_ Low-to-PWRGD_ Low Propagation Delay	$t_{PHLFB\_}$	Figures 1, 3		3.2		$\mu s$
FB_ High-to-PWRGD_ High Propagation Delay	$t_{PLHFB\_}$	Figures 1, 3		1.5		$\mu s$
( $V_{CC} - V_{SENSE}$ ) High-to-GATE Low Propagation Delay	$t_{PHLSENSE}$	$T_A = +25^{\circ}C$ , $C_{GATE} = 0$ , Figures 1 and 4	0.5	1.8	2.5	$\mu s$

**Note 1:** All currents into the device are positive and all currents out of the device are negative. All voltages are referenced to ground, unless noted otherwise.

### Test Circuit and Timing Diagrams

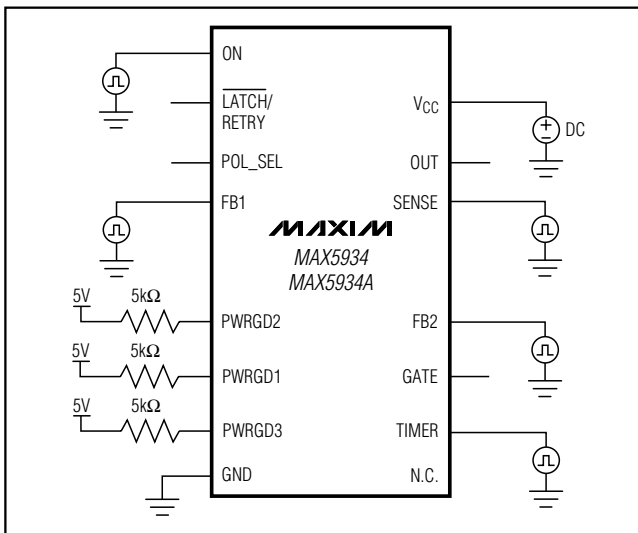


Figure 1. Test Circuit

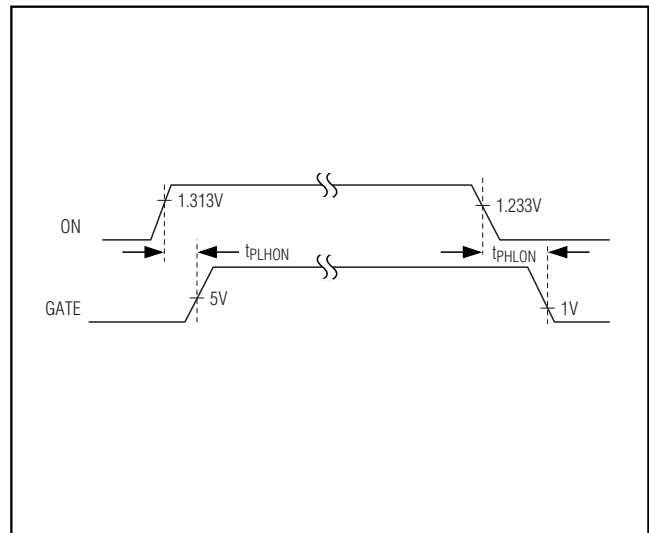


Figure 2. ON-to-GATE Timing

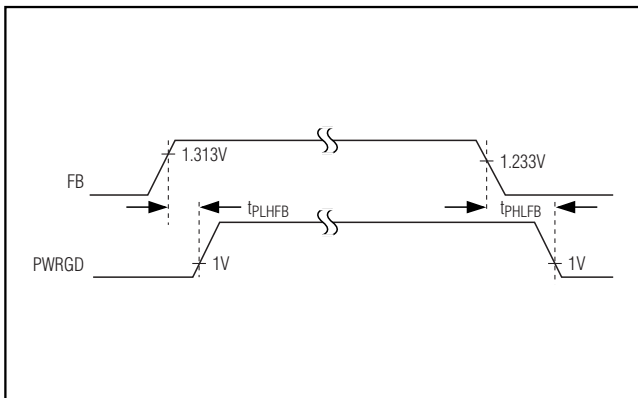


Figure 3. FB\_-to-PWRGD\_ Timing

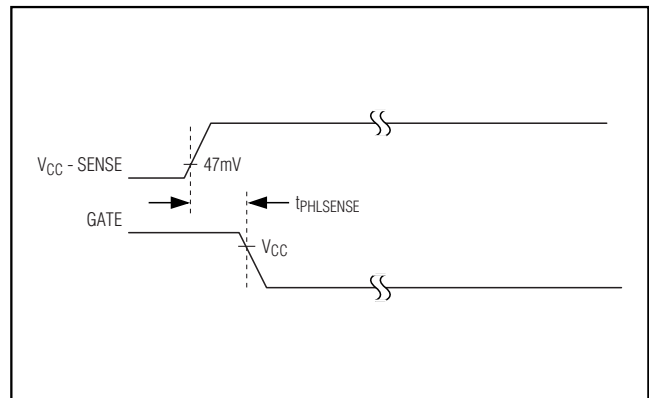
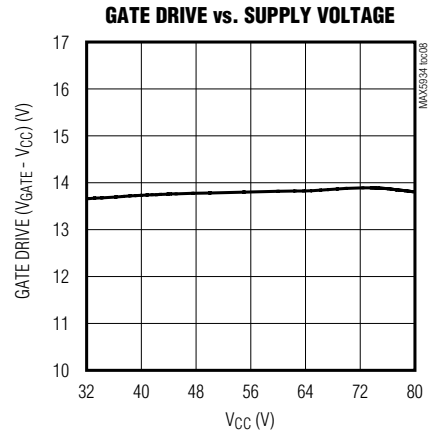
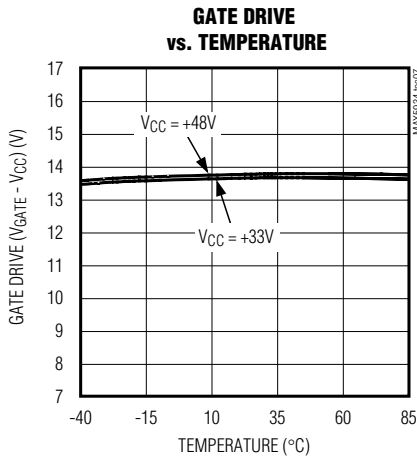
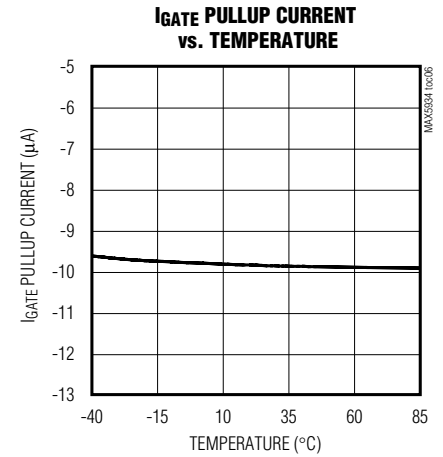
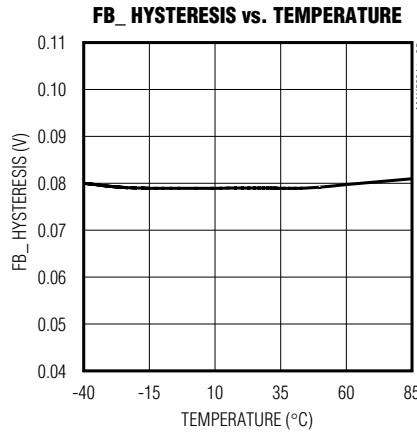
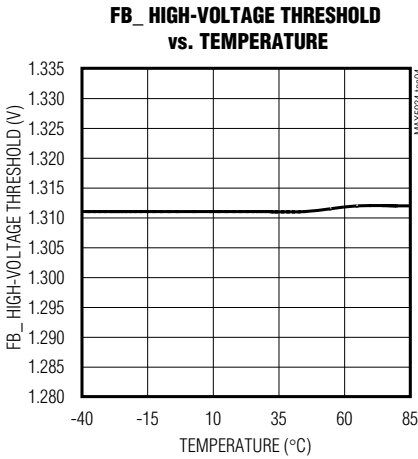
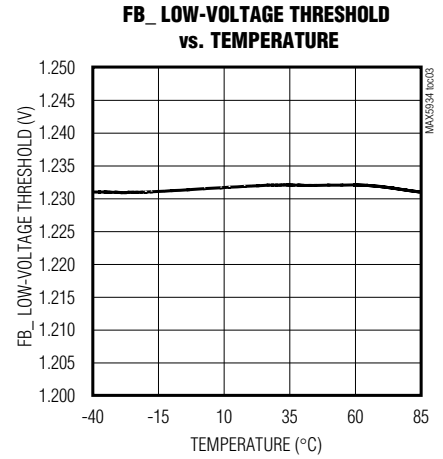
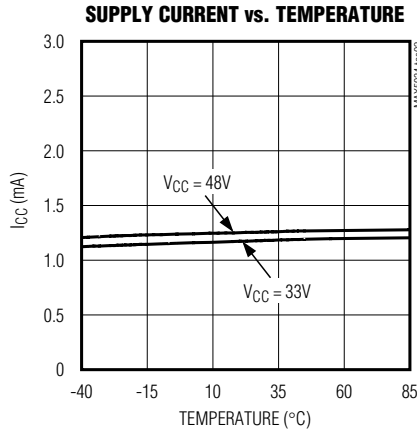
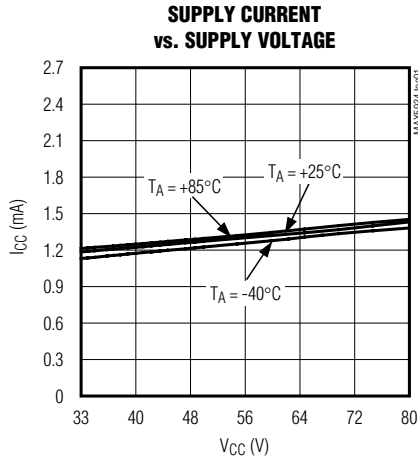


Figure 4. SENSE-to-GATE Timing

# Positive High-Voltage, Hot-Swap Controllers with Selectable Fault Management and Status Polarity

## Typical Operating Characteristics

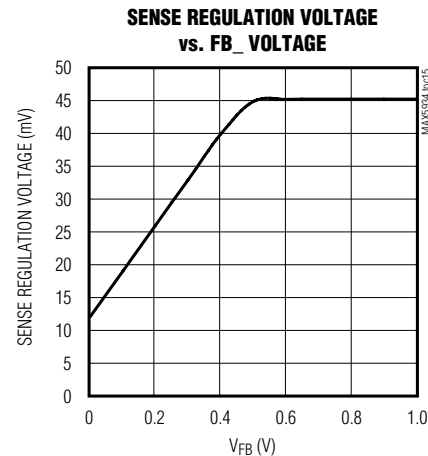
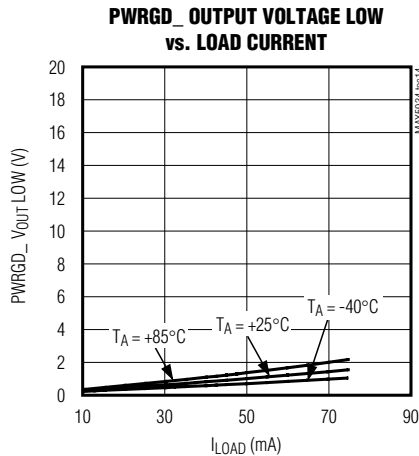
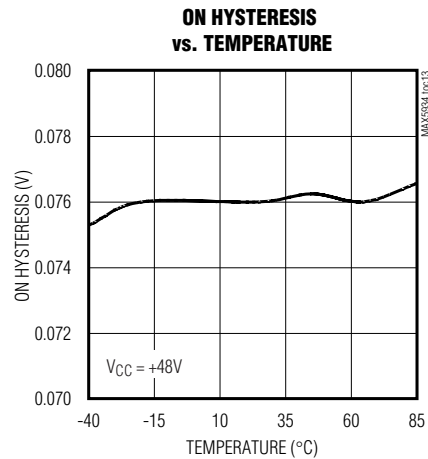
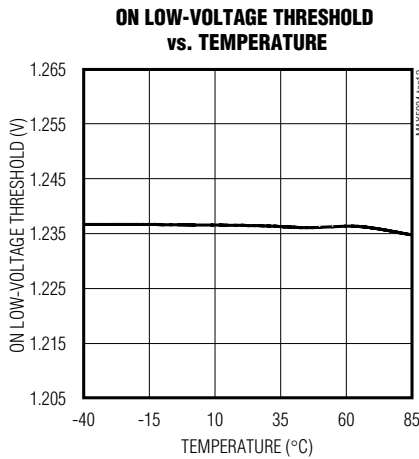
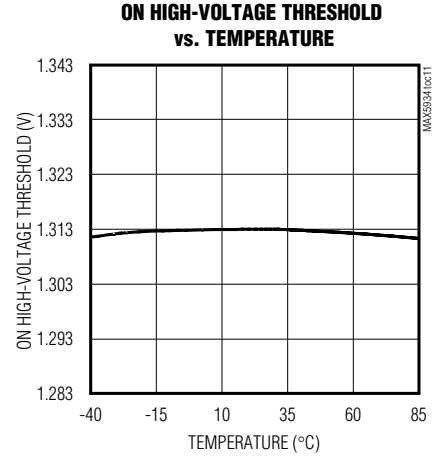
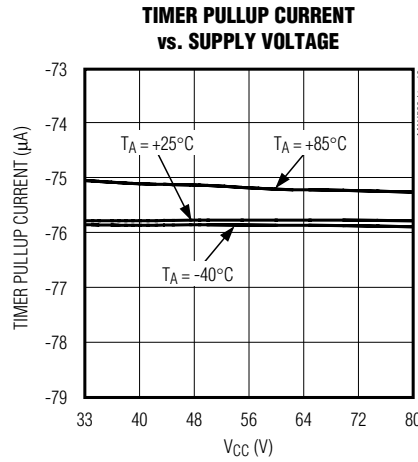
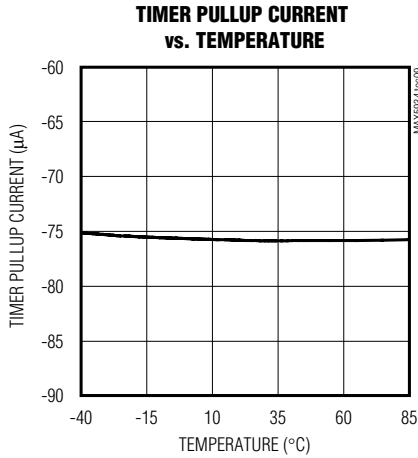
( $V_{CC} = +48V$ ,  $T_A = +25^\circ C$ , unless otherwise noted.)



# Positive High-Voltage, Hot-Swap Controllers with Selectable Fault Management and Status Polarity

## Typical Operating Characteristics (continued)

( $V_{CC} = +48V$ ,  $T_A = +25^\circ C$ , unless otherwise noted.)



# Positive High-Voltage, Hot-Swap Controllers with Selectable Fault Management and Status Polarity

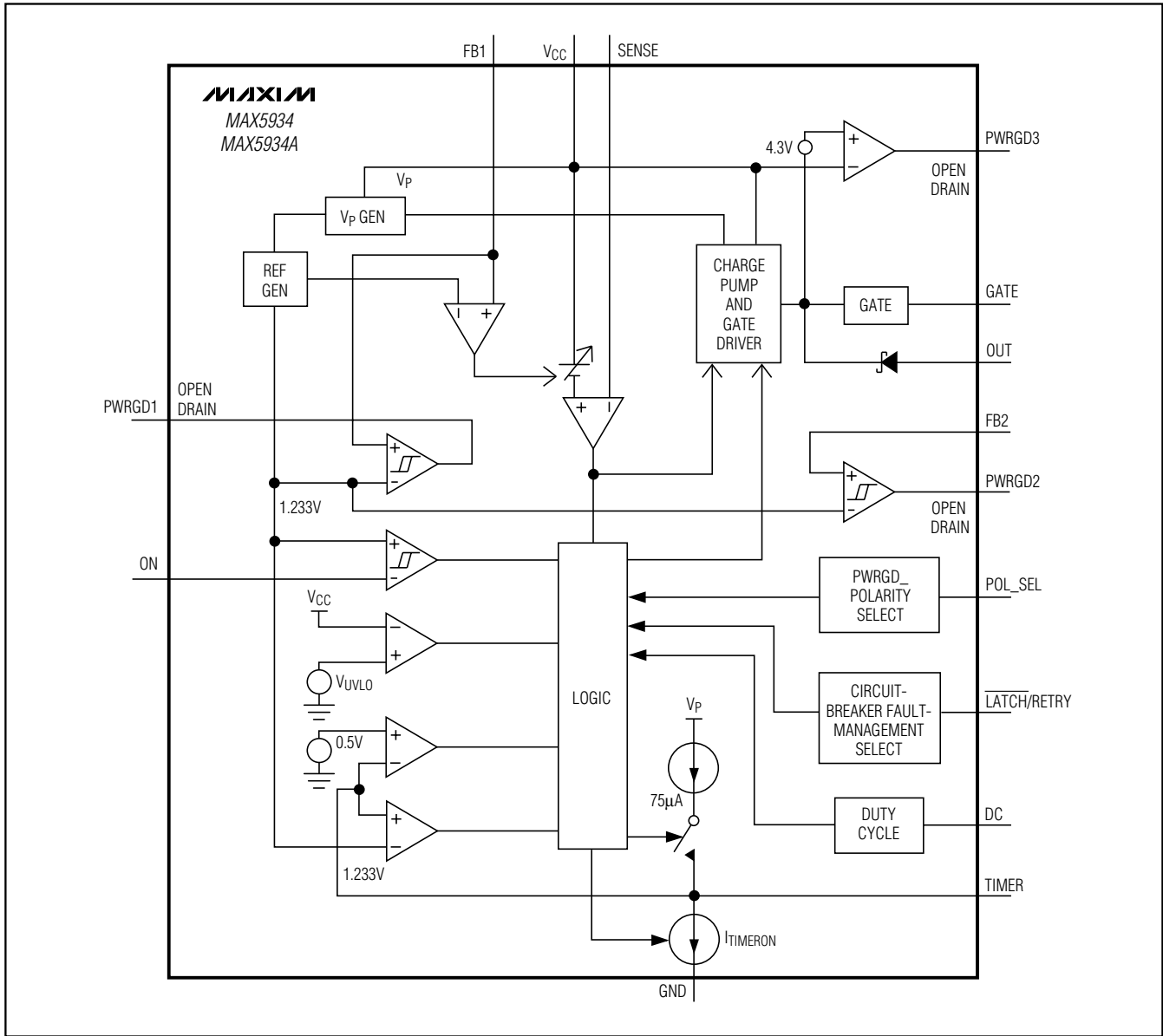
## Pin Description

MAX5934/MAX5934A

PIN	NAME	FUNCTION
1	$\overline{\text{LATCH/RETRY}}$	Circuit-Breaker Fault-Management Select Input. Connect $\overline{\text{LATCH/RETRY}}$ to GND to latch off after a circuit-breaker fault. Leave $\overline{\text{LATCH/RETRY}}$ open or drive to logic-high voltage for automatic restart after a circuit-breaker fault.
2	ON	On/Off Control Input. ON implements the undervoltage-lockout threshold and resets the part after a fault latch (see the <i>Fault Management (<math>\overline{\text{LATCH/RETRY}}</math>)</i> section).
3	POL_SEL	PWRGD_ Polarity Select Input. Leave POL_SEL open or drive to logic-high voltage for PWRGD_ asserted high. Connect POL_SEL to GND for PWRGD_ asserted low.
4	FB1	Power-Good Comparator Input. Connect a resistive divider between output, FB1, and GND to monitor the output voltage (see the <i>Power-Good (PWRGD_ ) Detection</i> section). FB1 is also used as feedback for the current-limit foldback function.
5	PWRGD2	Open-Drain Power-Good Output. POL_SEL determines the output polarity of PWRGD2. PWRGD2 is asserted when FB2 is higher than $V_{\text{FB2H}}$ . PWRGD2 deasserts when FB2 is lower than $V_{\text{FB2L}}$ (see the <i>Power-Good (PWRGD_ ) Detection</i> section).
6	PWRGD1	Open-Drain Power-Good Output. POL_SEL determines the output polarity of PWRGD1. PWRGD1 is asserted when FB1 is higher than $V_{\text{FB1H}}$ . PWRGD1 deasserts when FB1 is lower than $V_{\text{FB1L}}$ (see the <i>Power-Good (PWRGD_ ) Detection</i> section).
7	PWRGD3	Open-Drain Power-Good Output. POL_SEL determines the output polarity of PWRGD3. PWRGD3 asserts when GATE is at maximum voltage. PWRGD3 deasserts after the timeout following an overcurrent event (see the <i>Power-Good (PWRGD_ ) Detection</i> section).
8	GND	Ground
9	OUT	Output Voltage. OUT is used as the return path for the internal GATE protection clamping circuitry.
10	TIMER	Timing Input. Connect a capacitor from TIMER to GND to program the maximum time the part is allowed to remain in current limit (see the <i>TIMER</i> section).
11	GATE	Gate-Drive Output. The high-side gate drive for the external n-channel MOSFET (see the <i>GATE</i> section).
12	FB2	Noninverting Comparator Input. FB2 is used to monitor any other voltage in the system. When FB2 rises higher than $V_{\text{FB2H}}$ , PWRGD2 asserts. When FB2 drops below $V_{\text{FB2L}}$ , PWRGD2 deasserts.
13	N.C.	No Connection. Not internally connected.
14	SENSE	Current-Sense Input. Connect a sense resistor from $V_{\text{CC}}$ to SENSE and the drain of the external n-channel MOSFET.
15	DC	Duty-Cycle Select. When DC is floating, the default duty cycle is 3.75%. Connect DC to $V_{\text{CC}}$ to set the duty cycle to 1.88%. Connect DC to GND to set the duty cycle to 0.94%.
16	$V_{\text{CC}}$	Power-Supply Input. Bypass $V_{\text{CC}}$ to GND with a 0.1 $\mu\text{F}$ capacitor. The input voltage range is from +9V to +80V for the MAX5934A and +33V to +80V for the MAX5934.

# Positive High-Voltage, Hot-Swap Controllers with Selectable Fault Management and Status Polarity

## Functional Diagram







# Positive High-Voltage, Hot-Swap Controllers with Selectable Fault Management and Status Polarity

$$I_{LOAD} = \frac{V_{SENSETRIP}}{R_{SENSE}}$$

where:

$$V_{SENSETRIP} = V_{IN} - V_{SENSE}$$

$V_{SENSETRIP}$  varies from a low of 12mV when the voltage at FB1 = 0V and increases to 47mV as the voltage at FB1 increases to 0.5V and beyond (see Figure 6). Thus, the current limit is low at a low output voltage, and increases as the output voltage reaches its final value. This gradually increases the limiting load current at startup and creates a foldback current limit under overload or short-circuit conditions. See Figure 5 for FB1 and  $R_{SENSE}$  connections.

## Power-Up Mode

During power-up, the MAX5934/MAX5934A gradually turn on the external n-channel MOSFETs. The MAX5934/MAX5934A monitor and provide current-limit protection to the load at all times. The current limit is programmable using an external current-sense resistor connected from  $V_{CC}$  to SENSE. The MAX5934/MAX5934A feature current-limit foldback and duty-cycle limit to ensure robust operation during load-fault and short-circuit conditions (see the *Detailed Description* and *Overcurrent Protection* sections).

## TIMER

Connect an external capacitor from TIMER to ground to set the maximum overcurrent timeout limit. When the voltage at TIMER reaches 1.233V, GATE goes low and the 75 $\mu$ A pullup current turns off (see the *Functional Diagram*). As a result, a preset pulldown current ( $I_{TIMERON}$ ) discharges the capacitor. To reset the internal fault latch, these two conditions must be met:

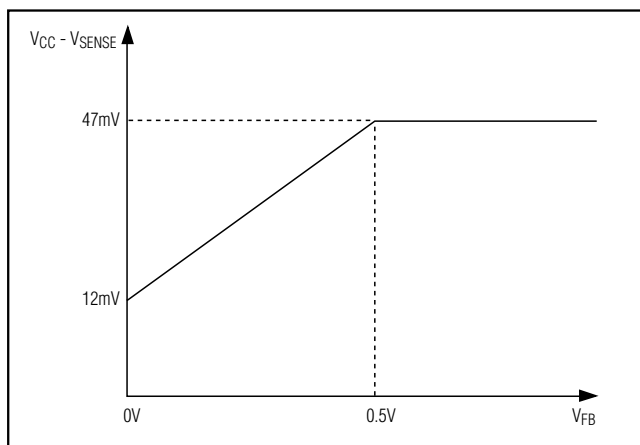


Figure 6. Current-Limit Sense Voltage vs. Feedback Voltage

- 1) TIMER's voltage goes below 0.5V
- 2) ON goes low

When the current limit is not active, TIMER goes low by the  $I_{TIMERON}$  current source. After the current limit becomes active, the  $I_{TIMEROFF}$  pullup current source is connected to TIMER and the voltage rises with a slope of 75 $\mu$ A/ $C_{TIMER}$  as long as the current limit remains active. A capacitor from TIMER to GND ( $C_{TIMER}$ ) sets the desired current-limit timeout:

$$T_{LIMIT} = (C_{TIMER} / 75\mu A) \times 1.233V$$

## GATE

GATE provides a high-side gate drive for the external n-channel MOSFET. An internal charge-pump circuit guarantees at least 10V of gate drive for supply voltages higher than 20V (MAX5934A) and a 4.5V gate drive for supply voltages between 10.8V and 20V (MAX5934A) (for the MAX5934, see the *Electrical Characteristics* table). Connect an external capacitor from GATE to ground to set the rising slope of the voltage at GATE.

The voltage at GATE is adjusted to maintain a constant voltage across  $R_{SENSE}$  when the current limit is reached while the TIMER capacitor starts to charge. When the voltage at TIMER exceeds 1.233V, the voltage at GATE goes low.

The MAX5934/MAX5934A monitor voltages at ON,  $V_{CC}$ , and TIMER. GATE is pulled to GND whenever ON goes low, or the  $V_{CC}$  supply voltage decreases below the UVLO threshold, or TIMER increases above the 1.233V threshold.

## Gate Voltage

The Gate Drive vs. Supply Voltage graph in the *Typical Operating Characteristics* illustrates that GATE clamps to a maximum of 18V above the input voltage. The MAX5934 minimum gate-drive voltage is 10V at a minimum input-supply voltage of 33V. The MAX5934A minimum gate-drive voltage is 4.5V at a minimum supply of 10.8V. Therefore, a logic-level MOSFET must be used if the input supply is below 20V.

## Fault Management (LATCH/RETRY)

The MAX5934/MAX5934A feature either latched-off or autoretry fault management configurable by the LATCH/RETRY input. To select automatic restart after a circuit-breaker fault, drive LATCH/RETRY high (above  $V_{LRIH}$ ) or leave it floating (see Figure 5).

# Positive High-Voltage, Hot-Swap Controllers with Selectable Fault Management and Status Polarity

In latch mode, the MAX5934/MAX5934A turn the MOSFET off and keep it off after an overcurrent fault. After the fault condition goes away and TIMER falls below 0.5V, recycle the power supplies or toggle ON low and high again to unlatch the device.

In autoretry mode, the MAX5934/MAX5934A turn the MOSFET off after an overcurrent fault occurs. After the fault condition is removed, the device waits for TIMER to fall below 0.5V and then automatically restarts. If the fault is due to an overtemperature condition, the MAX5934/MAX5934A wait for the die temperature to cool down below the +130°C threshold before restarting.

## Power-Good (PWRGD\_ ) Detection

The MAX5934/MAX5934A feature three power-good outputs (PWRGD\_) to indicate the status of three separate voltages. PWRGD\_ asserts if the device detects an error condition.

PWRGD\_ is true when FB\_ voltages exceed the low-to-high threshold voltage (V<sub>FB\_H</sub>). PWRGD\_ is false when FB\_ voltages go lower than the high-to-low threshold voltage (V<sub>FB\_L</sub>).

Connect external pullup resistors between PWRGD\_ and OUT to pull up the PWRGD\_ voltages to V<sub>OUT</sub>.

PWRGD2 can be used to indicate an overvoltage condition on the main power-supply rail.

PWRGD3 asserts when GATE voltage has charged to 4.3V above the supply rail. PWRGD3 deasserts when the TIMER voltage exceeds 1.233V threshold in response to an extended fault condition.

The output polarity of PWRGD\_ is determined by POL\_SEL. Drive POL\_SEL high or leave it floating to select PWRGD\_ active high. Connect POL\_SEL to GND for PWRGD\_ active low.

## Undervoltage Lockout (UVLO)

The MAX5934A operates from a +9V to +80V supply voltage range and has a default UVLO set at +8.3V. The MAX5934 operates from a +33V to +80V supply voltage range and has a default UVLO set at +31V. The UVLO thresholds are adjustable using a resistive divider connected to V<sub>CC</sub> (see R2 and R3 in Figure 5). When the input voltage (or V<sub>CC</sub>) is below the UVLO threshold, the MOSFET is held off. When the input voltage (or V<sub>CC</sub>) is above the UVLO threshold, the MAX5934/MAX5934A go into normal operation (or begin to turn on the external MOSFET).

To adjust the UVLO threshold, connect an external resistive divider from V<sub>IN</sub> (or V<sub>CC</sub>) to ON and then from ON to GND. The following equation is used to calculate the new UVLO threshold:

$$V_{UVLO\_TH} = V_{REF} (1 + (R2 / R3))$$

where V<sub>REF</sub> is typically 1.233V.

## Applications Information

### Hot-Circuit Insertion

The supply bypass capacitors on a circuit board can draw high peak currents from the backplane power bus as they charge when the circuit boards are inserted into a live backplane. This can cause permanent damage to the connector pins and glitch the system supply causing other boards in the system to reset.

The MAX5934/MAX5934A are capable of controlling a board's power-supply voltage allowing for the safe insertion or removal of a board from a live backplane. These devices provide undervoltage and overcurrent protection and power-good output signals (PWRGD\_).

### Overcurrent Protection

The MAX5934/MAX5934A provide sophisticated overcurrent protection to ensure robust operation under output-current-transient and overcurrent fault conditions. The current-protection circuit employs a foldback current limit and a short-circuit or excessive output-current protection.

The MAX5934/MAX5934A offer a current foldback feature where the current folds back as a function of the output voltage that is sensed at FB1. As Figure 6 illustrates, the voltage across R<sub>SENSE</sub> decreases linearly when FB1 drops below 0.5V and stops at 12mV when V<sub>FB1</sub> = 0V. The maximum current-limit equation is:

$$I_{LIMIT} = 47\text{mV} / R_{SENSE}$$

For R<sub>SENSE</sub> = 0.025Ω, the current limit is set to 1.88A and goes down to 480mA at short circuit (output shorted to GND).

In addition, the MAX5934/MAX5934A feature an adjustable overcurrent response time. The required time to regulate the MOSFET current depends on the input capacitance of the MOSFET, GATE capacitor (C1), compensation resistor (R1), and the internal delay from SENSE to GATE. Figure 7 shows the propagation delay from a voltage step at SENSE until GATE starts to fall, as a function of overdrive.

# Positive High-Voltage, Hot-Swap Controllers with Selectable Fault Management and Status Polarity

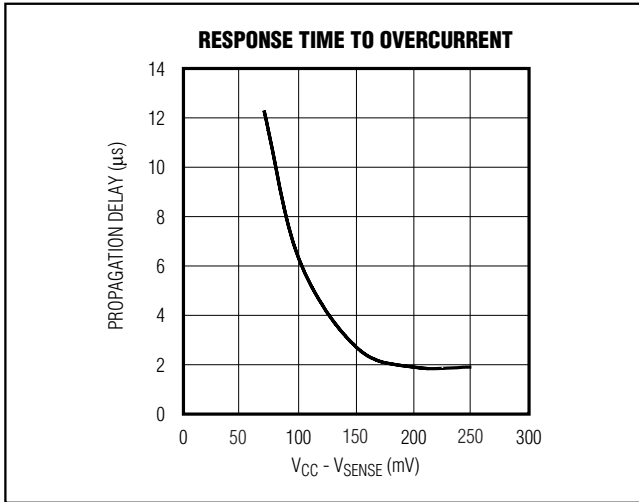


Figure 7. Response Time to Overcurrent

### Undervoltage and Overvoltage Detection

An undervoltage fault is detected when  $V_{ON}$  goes below the trip point ( $V_{ONL} = 1.233V$ ). When this occurs, GATE pulls low and stays low until  $V_{ON}$  rises above ( $V_{ONH} = 1.313V$ ).

An example of overvoltage protection is shown in Figure 8. Zener diode D1 turns on when  $V_{IN}$  exceeds the diode's breakdown voltage and begins to pull TIMER high. When  $V_{TIMER}$  goes higher than 1.233V, a fault is detected and GATE pulls low. As a result, Q1 turns off. Figure 9 shows overvoltage waveforms for  $V_{IN}$  (see the *Fault Management (LATCH/RETRY)* section for restart conditions).

### Supply Transient Protection

The MAX5934/MAX5934A are guaranteed to be safe from damage with supply voltages of up to 85V. Spikes at voltages above 85V may damage the part. Instantaneous short-circuit conditions, can cause large

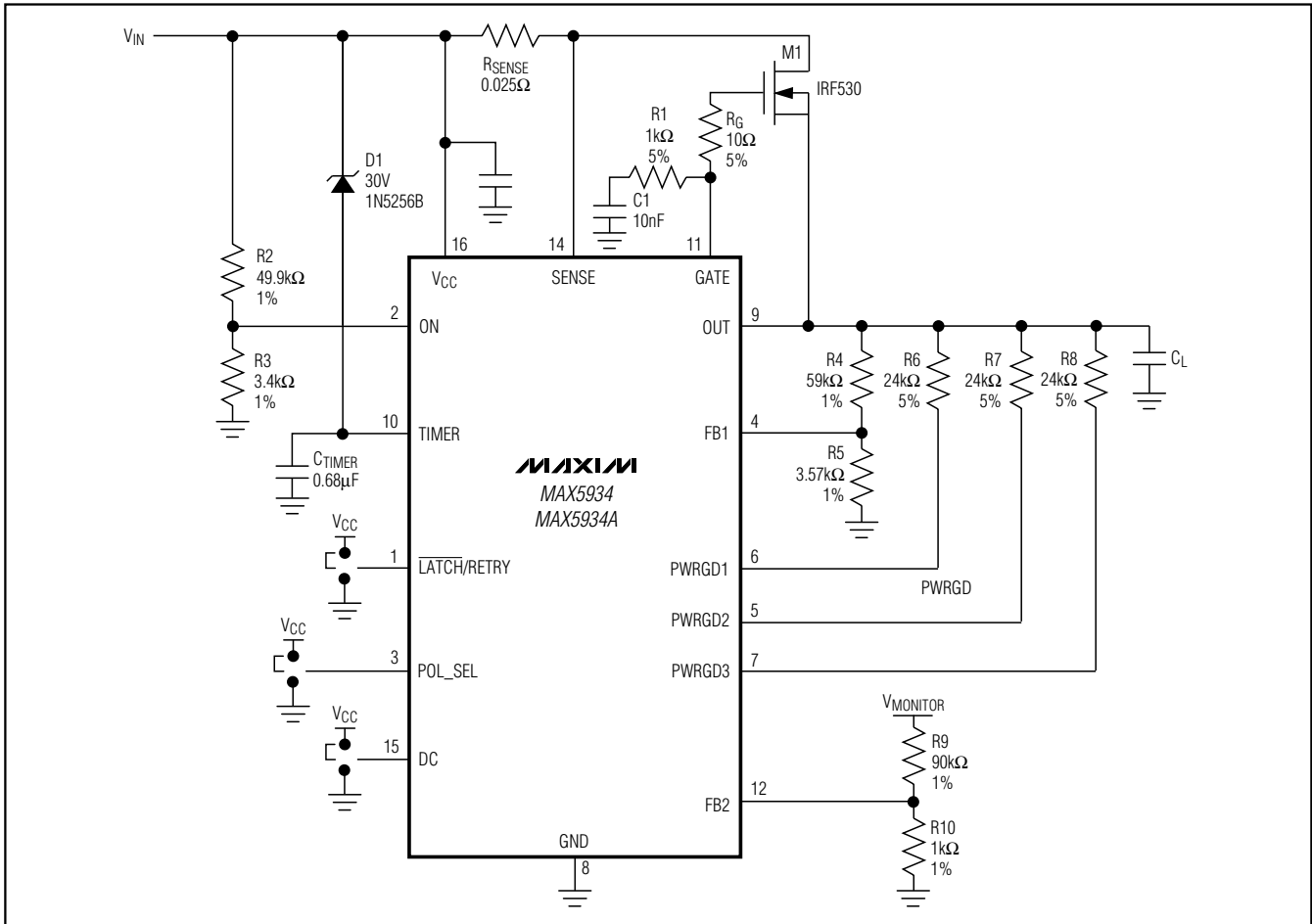


Figure 8. Overvoltage Detection

# Positive High-Voltage, Hot-Swap Controllers with Selectable Fault Management and Status Polarity

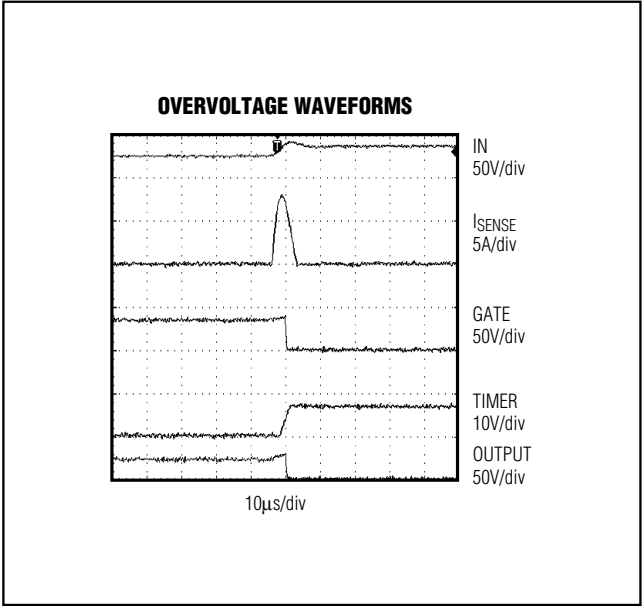


Figure 9. Overvoltage Waveforms

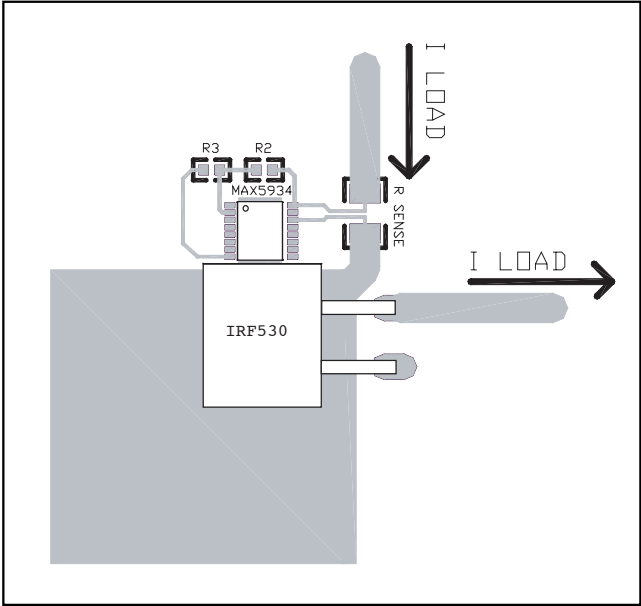


Figure 10. Recommended Layout for R2, R3, and RSENSE

changes in currents flowing through the power-supply traces. This can cause inductive voltage spikes that could exceed 85V. Use wider traces or heavier trace plating and connect a 0.1µF capacitor between VCC and GND to minimize these inductive spikes. Use a transient voltage suppressor (TVS) at the input to prevent damage from voltage surges. An SMBJ54A is recommended.

### Power-Up Sequence

At power-up, transistor Q1 (see the *Typical Application Circuit*) is off until these three conditions are met:

- V<sub>ON</sub> exceeds the turn-on threshold voltage
- V<sub>CC</sub> exceeds the UVLO threshold
- V<sub>TIMER</sub> stays below 1.233V

The voltage at GATE increases with a slope of 10µA/C1 (where C1 is shown in the *Typical Application Circuit*) and I<sub>INRUSH</sub> = C<sub>L</sub> × 10µA / C1. When the voltage across R<sub>SENSE</sub> goes too high, the inrush current is limited by the internal current-limit circuitry that adjusts the GATE voltage to keep a constant voltage across R<sub>SENSE</sub>.

### Thermal Shutdown

If the MAX5934/MAX5934A die temperature reaches +150°C, an overtemperature fault is generated. As a result, GATE goes low and turns the external MOSFET off. The MAX5934/MAX5934A die temperature must cool down below +120°C before the overtemperature fault condition is removed.

### Board Layout and Bypassing

Kelvin connections are recommended for accurate current sensing. Make sure the minimum trace width for 2oz copper is 1.5mm per amp. A width of 4mm per amp is recommended.

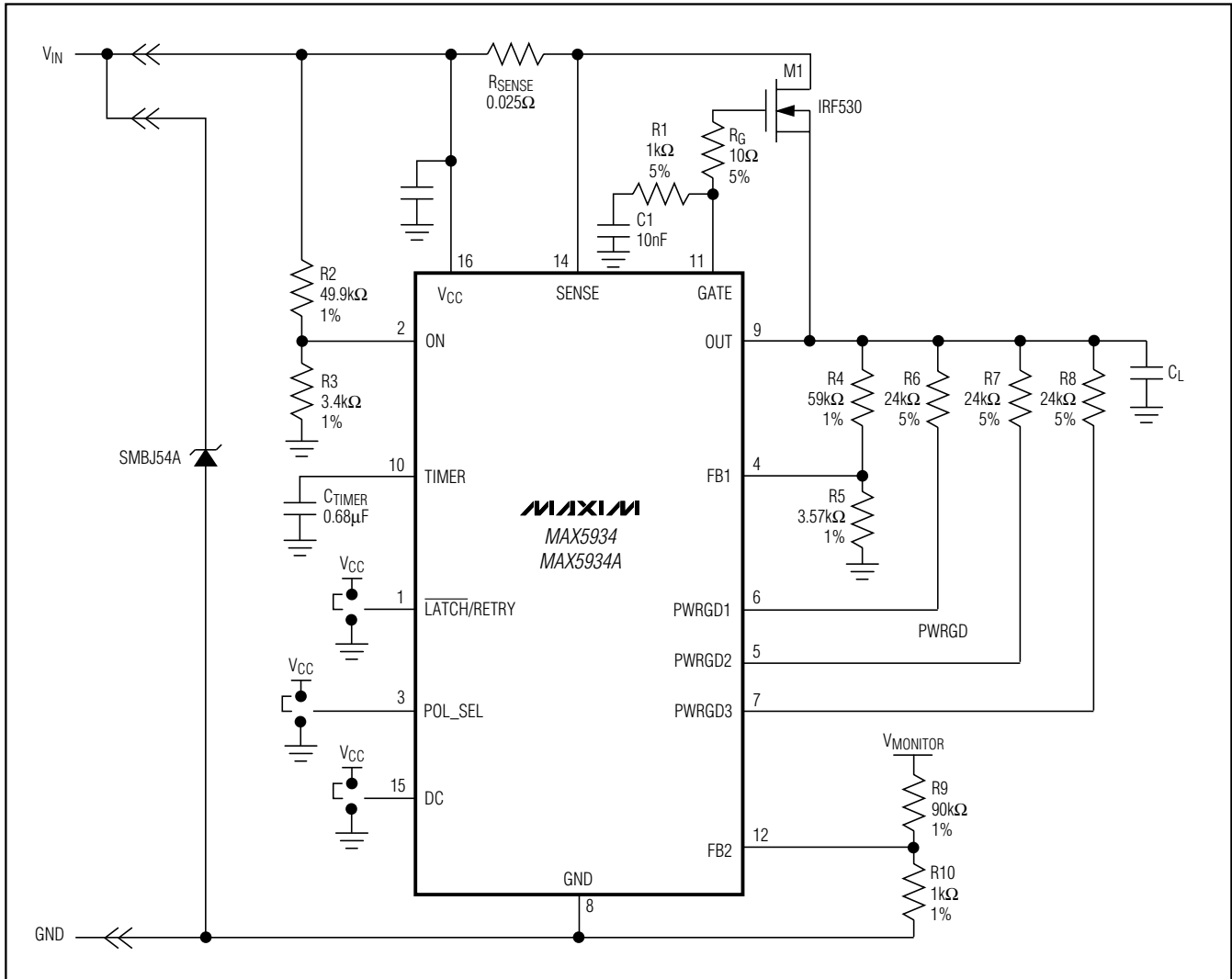
Connect a resistive divider from V<sub>CC</sub> to ON as close as possible to ON and have short traces from V<sub>CC</sub> and GND. To decrease induced noise connect a 0.1µF capacitor between ON and GND (see Figure 10).

The external MOSFET must be thermally coupled to the MAX5934/MAX5934A to ensure proper thermal shutdown operation.

# Positive High-Voltage, Hot-Swap Controllers with Selectable Fault Management and Status Polarity

## Typical Application Circuit

MAX5934/MAX5934A



### Chip Information

TRANSISTOR COUNT: 1573

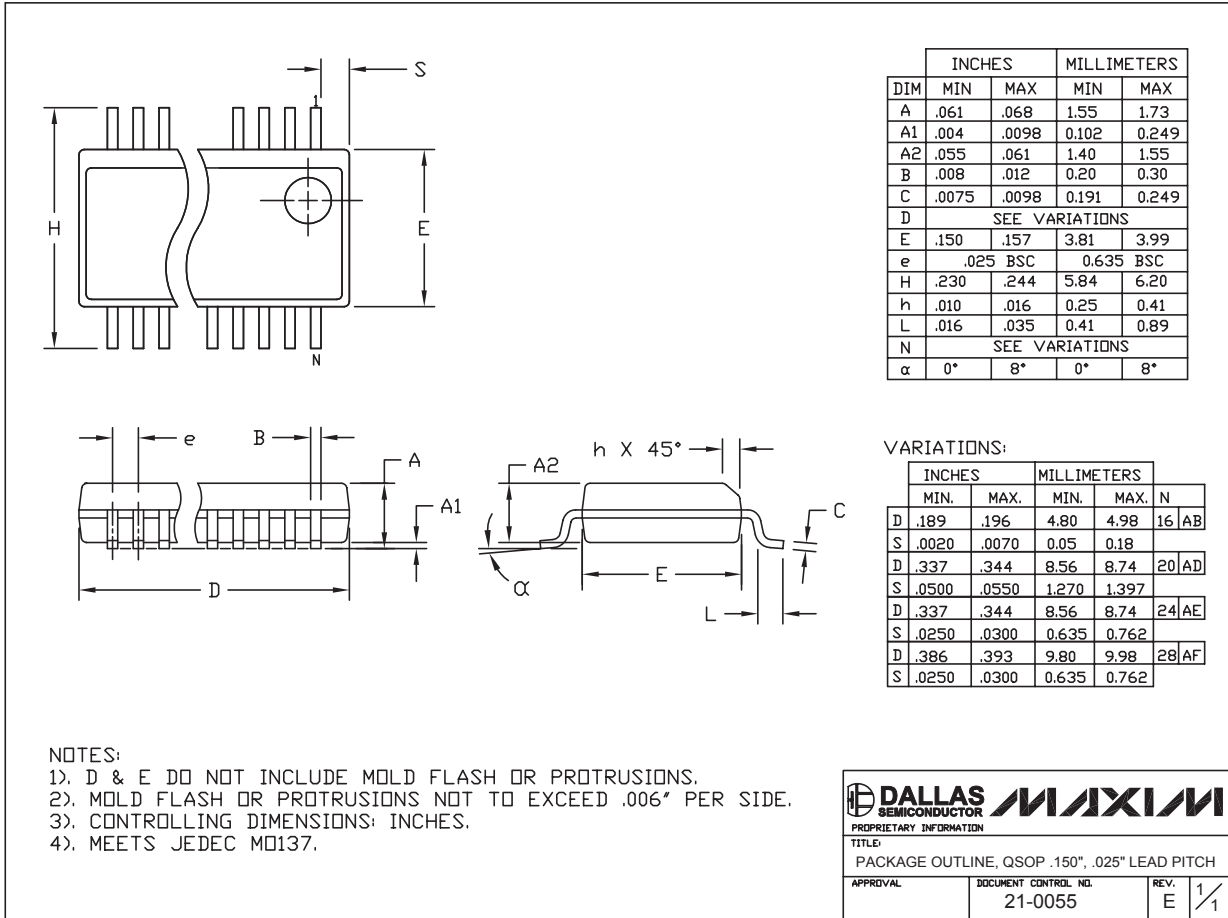
PROCESS: BICMOS

# Positive High-Voltage, Hot-Swap Controllers with Selectable Fault Management and Status Polarity

## Package Information

(The package drawing(s) in this data sheet may not reflect the most current specifications. For the latest package outline information go to [www.maxim-ic.com/packages](http://www.maxim-ic.com/packages).)

MAX5934/MAX5934A



Maxim cannot assume responsibility for use of any circuitry other than circuitry entirely embodied in a Maxim product. No circuit patent licenses are implied. Maxim reserves the right to change the circuitry and specifications without notice at any time.

Maxim Integrated Products, 120 San Gabriel Drive, Sunnyvale, CA 94086 408-737-7600 \_\_\_\_\_ 15