

PLEASE CHECK WWW.MOLEX.COM FOR LATEST PART INFORMATION

Part Number: [0003061056](#)
Status: **Active**
Overview:
Description: 1.57mm (.062") Diameter Standard .062 Pin and Socket Receptacle Housing, 5 Circuits, Without Mounting Ears

Documents:

[3D Model](#) [Product Specification PS-02-06 \(PDF\)](#)
[Drawing \(PDF\)](#) [RoHS Certificate of Compliance \(PDF\)](#)
[Packaging Specification \(PDF\)](#)

General

Product Family Crimp Housings
 Series [1625](#)
 Comments Polarized to Mating Part
 Overview Standard .062"
 Product Name Standard .062"

Physical

Breakaway No
 Circuits (maximum) 5
 Circuits Detail 1x5
 Color - Resin Natural
 Flammability 94V-2
 Gender Receptacle
 Glow-Wire Compliant No
 Keying to Mating Part None
 Lock to Mating Part Yes
 Material - Resin Nylon
 Number of Rows 1
 Packaging Type Bag
 Panel Mount No
 Pitch - Mating Interface (in) 0.145 In
 Pitch - Mating Interface (mm) 3.68 mm
 Pitch - Term. Interface (in) 0.145 In
 Pitch - Term. Interface (mm) 3.96 mm
 Polarized to Mating Part Yes
 Stackable No
 Temperature Range - Operating -40°C to +105°C

Electrical

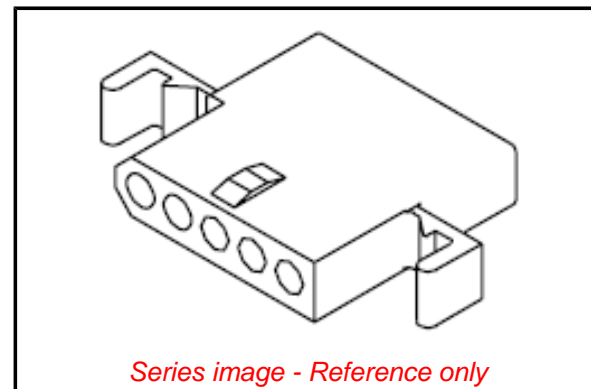
CSA LR19980
 Current - Maximum 5A
 TUV R72081037
 UL E29179

Material Info

Old Part Number 1625-5R1

Reference - Drawing Numbers

Product Specification PS-02-06
 Sales Drawing SD-1625-5*



EU RoHS

**ELV and RoHS
 Compliant
 REACH SVHC
 Contains SVHC: No
 Halogen-Free
 Status**

China RoHS



Not Reviewed

**Need more information on product
 environmental compliance?**

Email productcompliance@molex.com
 Please visit the [Contact Us](#) section for any
 non-product compliance questions.

Search Parts in this Series

[1625 Series](#)

Mates With

[1625 Plug](#)

Use With

Female Crimp Terminals [1561](#)[Link:4559](#)
 , [4529](#) , [2190](#) , [2189](#) , [1787](#) , [1855](#) . Male
 Crimp Terminals [1560](#) , [1786](#) , [1854](#) . [1778](#)
 Male PC Tail Terminals. [1779](#) Female PC
 Tail Terminals