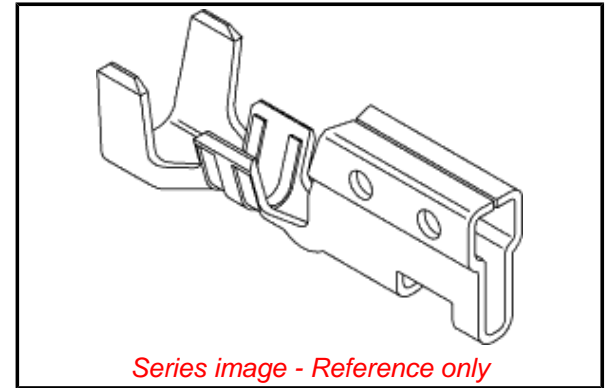


**PLEASE CHECK WWW.MOLEX.COM FOR LATEST PART INFORMATION**

**Part Number:** **0008701030**  
**Status:** **Active**  
**Overview:**  
**Description:** SPOX™ Crimp Terminal 5194, 18-24 AWG, Brass, Bag

**Documents:**

<a href="#">Drawing (PDF)</a>	<a href="#">Product Specification PS-5196-005 (PDF)</a>
<a href="#">Product Specification PS-5096-003 (PDF)</a>	<a href="#">Product Specification PS-5196-006 (PDF)</a>
<a href="#">Product Specification PS-5195-001 (PDF)</a>	<a href="#">Product Specification PS-5197-001 (PDF)</a>
<a href="#">Product Specification PS-5195-002 (PDF)</a>	<a href="#">Product Specification PS-5197-003 (PDF)</a>
<a href="#">Product Specification PS-5195-003 (PDF)</a>	<a href="#">Product Specification PS-5197-004 (PDF)</a>
<a href="#">Product Specification PS-5195-004 (PDF)</a>	<a href="#">Product Specification PS-5198-001 (PDF)</a>
<a href="#">Product Specification PS-5195-005 (PDF)</a>	<a href="#">Product Specification PS-5199-001 (PDF)</a>
<a href="#">Product Specification PS-5195-006 (PDF)</a>	<a href="#">Product Specification PS-5199-002 (PDF)</a>
<a href="#">Product Specification PS-5195-007 (PDF)</a>	<a href="#">Product Specification PS-5273-003 (PDF)</a>
<a href="#">Product Specification PS-5195-009 (PDF)</a>	<a href="#">Product Specification PS-5273-004 (PDF)</a>
<a href="#">Product Specification PS-5195-010 (PDF)</a>	<a href="#">Product Specification PS-5278-001 (PDF)</a>
<a href="#">Product Specification PS-5195-011 (PDF)</a>	<a href="#">Product Specification PS-5278-002 (PDF)</a>
<a href="#">Product Specification PS-5196-001 (PDF)</a>	<a href="#">RoHS Certificate of Compliance (PDF)</a>
<a href="#">Product Specification PS-5196-004 (PDF)</a>	



**General**

Product Family	Crimp Terminals
Series	5194
Overview	SPOX™; BMI
Product Name	SPOX™

**Physical**

Gender	Female
Material - Metal	Brass
Material - Plating Mating	Tin
Material - Plating Termination	Tin
Packaging Type	Bag
Plating min: Mating (µin)	35
Plating min: Mating (µm)	0.88
Plating min: Termination (µin)	35
Plating min: Termination (µm)	0.88
Termination Interface: Style	Crimp or Compression
Wire Insulation Diameter	1.30-3.20mm (.051-.126")
Wire Size AWG	18
Wire Size AWG	20
Wire Size AWG	22
Wire Size AWG	24
Wire Size mm²	N/A

**Material Info**

Old Part Number	5194TL
-----------------	--------

**Reference - Drawing Numbers**

Product Specification	PS-5096-003
Product Specification	PS-5195-001
Product Specification	PS-5195-002
Product Specification	PS-5195-003
Product Specification	PS-5195-004
Product Specification	PS-5195-005
Product Specification	PS-5195-006
Product Specification	PS-5195-007

**EU RoHS**

**ELV and RoHS Compliant**  
**REACH SVHC Contains SVHC: No**  
**Halogen-Free Status**

**China RoHS**



**Halogen-Free**

**Need more information on product environmental compliance?**

Email [productcompliance@molex.com](mailto:productcompliance@molex.com)  
Please visit the [Contact Us](#) section for any non-product compliance questions.

**Search Parts in this Series**

5194 Series

**Use With**

5195 , 5196 , 5197 , 5198 , 5199

**Application Tooling | FAQ**

*Tooling specifications and manuals are found by selecting the products below. Crimp Height Specifications are then contained in the Application Tooling Specification document.*

**Global**

Description	Product #
Hand Crimp Tool	0638116500

**Japan**

Description	Product #
Hand Extraction Tool	0011260100
Hand Crimp Tool	0011260058
JHTR5904	

Product Specification	PS-5195-009
Product Specification	PS-5195-010
Product Specification	PS-5195-011
Product Specification	PS-5196-001
Product Specification	PS-5196-004
Product Specification	PS-5196-005
Product Specification	PS-5196-006
Product Specification	PS-5197-001
Product Specification	PS-5197-003
Product Specification	PS-5197-004
Product Specification	PS-5198-001
Product Specification	PS-5199-001
Product Specification	PS-5199-002
Product Specification	PS-5273-003
Product Specification	PS-5273-004
Product Specification	PS-5278-001
Product Specification	PS-5278-002
Product Specification	RPS-5096-001
Product Specification	RPS-5195-001
Product Specification	RPS-5196-002
Product Specification	RPS-5196-003
Product Specification	RPS-5196-004
Product Specification	RPS-5197-001
Sales Drawing	SD-5194-001

This document was generated on 11/05/2009

**PLEASE CHECK [WWW.MOLEX.COM](http://WWW.MOLEX.COM) FOR LATEST PART INFORMATION**