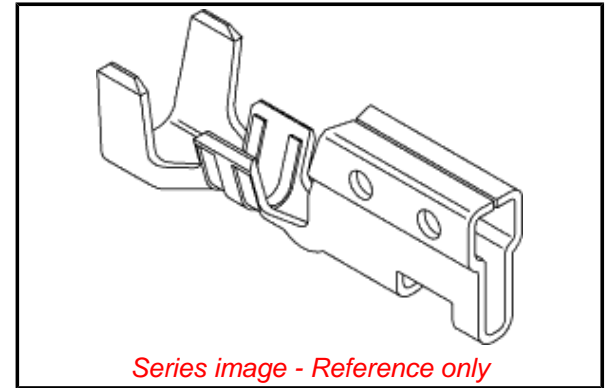


PLEASE CHECK WWW.MOLEX.COM FOR LATEST PART INFORMATION

Part Number: [0008701031](#)
Status: **Active**
Overview:
Description: SPOX™ Crimp Terminal 5194, 18-24 AWG, Brass, Reel

Documents:

Drawing (PDF)	Product Specification PS-5196-005 (PDF)
Product Specification PS-5096-003 (PDF)	Product Specification PS-5196-006 (PDF)
Product Specification PS-5195-001 (PDF)	Product Specification PS-5197-001 (PDF)
Product Specification PS-5195-002 (PDF)	Product Specification PS-5197-003 (PDF)
Product Specification PS-5195-003 (PDF)	Product Specification PS-5197-004 (PDF)
Product Specification PS-5195-004 (PDF)	Product Specification PS-5198-001 (PDF)
Product Specification PS-5195-005 (PDF)	Product Specification PS-5199-001 (PDF)
Product Specification PS-5195-006 (PDF)	Product Specification PS-5199-002 (PDF)
Product Specification PS-5195-007 (PDF)	Product Specification PS-5199-003 (PDF)
Product Specification PS-5195-009 (PDF)	Product Specification PS-5273-003 (PDF)
Product Specification PS-5195-010 (PDF)	Product Specification PS-5273-004 (PDF)
Product Specification PS-5195-011 (PDF)	Product Specification PS-5278-001 (PDF)
Product Specification PS-5196-001 (PDF)	Product Specification PS-5278-002 (PDF)
Product Specification PS-5196-004 (PDF)	RoHS Certificate of Compliance (PDF)



General

Product Family	Crimp Terminals
Series	5194
Overview	SPOX™; BMI
Product Name	SPOX™

Physical

Gender	Female
Material - Metal	Brass
Material - Plating Mating	Tin
Material - Plating Termination	Tin
Packaging Type	Reel
Plating min: Mating (µin)	35
Plating min: Mating (µm)	0.88
Plating min: Termination (µin)	35
Plating min: Termination (µm)	0.88
Termination Interface: Style	Crimp or Compression
Wire Insulation Diameter	1.30-3.20mm (.051-.126")
Wire Size AWG	18
Wire Size AWG	20
Wire Size AWG	22
Wire Size AWG	24
Wire Size mm²	N/A

Material Info

Old Part Number	5194T
-----------------	-------

Reference - Drawing Numbers

Product Specification	PS-5096-003
Product Specification	PS-5195-001
Product Specification	PS-5195-002
Product Specification	PS-5195-003
Product Specification	PS-5195-004
Product Specification	PS-5195-005
Product Specification	PS-5195-006
Product Specification	PS-5195-007

EU RoHS

**ELV and RoHS
Compliant**
**REACH SVHC
Contains SVHC: No**
**Halogen-Free
Status**

China RoHS



Halogen-Free

**Need more information on product
environmental compliance?**

Email productcompliance@molex.com
Please visit the [Contact Us](#) section for any
non-product compliance questions.

Search Parts in this Series

5194 Series

Use With

5195 , 5196 , 5197 , 5198 , 5199

Application Tooling | FAQ

*Tooling specifications and manuals are
found by selecting the products below.
Crimp Height Specifications are then
contained in the Application Tooling
Specification document.*

Global

Description	Product #
Hand Crimp Tool	0638116500
FineAdjust™	0639005300
Applicator for 3.96mm (.156") Pitch SPOX™ Crimp Terminal, 18-24 AWG	
T2 Terminator Tooling Die for SPOX™ Crimp Terminal, 18-24 AWG	0639105300

Japan

Product Specification	PS-5195-009
Product Specification	PS-5195-010
Product Specification	PS-5195-011
Product Specification	PS-5196-001
Product Specification	PS-5196-004
Product Specification	PS-5196-005
Product Specification	PS-5196-006
Product Specification	PS-5197-001
Product Specification	PS-5197-003
Product Specification	PS-5197-004
Product Specification	PS-5198-001
Product Specification	PS-5199-001
Product Specification	PS-5199-002
Product Specification	PS-5199-003
Product Specification	PS-5273-003
Product Specification	PS-5273-004
Product Specification	PS-5278-001
Product Specification	PS-5278-002
Product Specification	RPS-5096-001
Product Specification	RPS-5195-001
Product Specification	RPS-5196-002
Product Specification	RPS-5196-003
Product Specification	RPS-5196-004
Product Specification	RPS-5197-001
Product Specification	RPS-5198-003
Product Specification	RPS-5199-001
Product Specification	RPS-5281-001
Product Specification	RPS-5289-002
Sales Drawing	SD-5194-001

Description	Product #
Hand Extraction Tool	<u>0011260100</u>
Applicator for M211A	<u>0011260028</u>
Bench Press, 18-28 AWG, for 5225 and 5194 Crimp Terminal	

This document was generated on 11/05/2009

PLEASE CHECK WWW.MOLEX.COM FOR LATEST PART INFORMATION