

**PLEASE CHECK WWW.MOLEX.COM FOR LATEST PART INFORMATION**

**Part Number:** [0010845030](#)

**Status:** **Active**

**Overview:**

**Description:** 6.35mm (.250) Pitch MLX™ Power Connector Header, Vertical, 3 Circuits, Polyester 94V-0, Tin (Sn) Plating, White

**Documents:**

[3D Model](#)

[Product Specification PS-42022-0001 \(PDF\)](#)

[Drawing \(PDF\)](#)

[RoHS Certificate of Compliance \(PDF\)](#)

**General**

Product Family	PCB Headers
Series	<a href="#">42002</a>
Application	Wire-to-Board
Comments	Solder Type
Overview	MLX
Product Name	MLX™

**Physical**

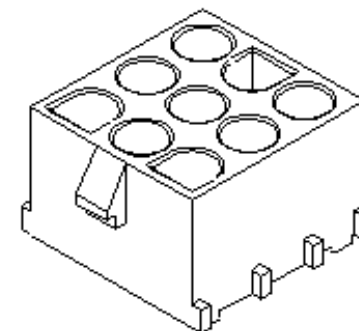
Breakaway	No
Circuits (Loaded)	3
Circuits (maximum)	3
Color - Resin	Natural
Durability (mating cycles max)	50
First Mate / Last Break	No
Flammability	94V-0
Glow-Wire Compliant	No
Guide to Mating Part	Yes
Keying to Mating Part	Yes
Lock to Mating Part	Yes
Material - Metal	Phosphor Bronze
Material - Plating Mating	Tin
Material - Resin	Polyester
Number of Rows	1
Orientation	Vertical
PC Tail Length (in)	0.168 In
PC Tail Length (mm)	4.27 mm
PCB Retention	Yes
PCB Thickness Recommended (in)	0.125 In
PCB Thickness Recommended (mm)	1.60 mm
Packaging Type	Bag
Pitch - Mating Interface (in)	0.250 In
Pitch - Mating Interface (mm)	6.35 mm
Polarized to PCB	Yes
Shrouded	Fully
Surface Mount Compatible (SMC)	No
Temperature Range - Operating	-55°C to +105°C
Termination Interface: Style	Through Hole

**Electrical**

CSA	LR19980
Current - Maximum	13.5A
UL	E29179

**Solder Process Data**

Duration at Max. Process Temperature (seconds)	10
Lead-free Process Capability	Wave Capable (TH only)



*Series image - Reference only*

**EU RoHS**

**ELV and RoHS  
Compliant**

**REACH SVHC**

**Contains SVHC: No**

**Halogen-Free**

**Status**

**Not Halogen-Free**

**China RoHS**



**Need more information on product  
environmental compliance?**

Email [productcompliance@molex.com](mailto:productcompliance@molex.com)  
Please visit the [Contact Us](#) section for any  
non-product compliance questions.

**Search Parts in this Series**

[42002 Series](#)

**Mates With**

[42021 Plug](#)

Process Temperature max. C	260
<b>Material Info</b>	
Old Part Number	42002-03C1A1
<b>Reference - Drawing Numbers</b>	
Product Specification	PS-42022-0001
Sales Drawing	SDA-42002-*****

This document was generated on 12/02/2009

**PLEASE CHECK [WWW.MOLEX.COM](http://WWW.MOLEX.COM) FOR LATEST PART INFORMATION**