

PLEASE CHECK WWW.MOLEX.COM FOR LATEST PART INFORMATION

Part Number: [0015060041](#)

Status: **Active**

Overview:

Description: 4.20mm (.165") Pitch Mini-Fit BMI™ Receptacle Housing, Dual Row with Panel Mount Ears, PA Polyamide Nylon 6/6, UL 94V-0, 4 Circuits

Documents:

[3D Model](#)

[Packaging Specification \(PDF\)](#)

[Drawing \(PDF\)](#)

[Product Specification PS-5556-002 \(PDF\)](#)

[RoHS Certificate of Compliance \(PDF\)](#)

General

Product Family
Series
Comments

Crimp Housings

42474

Current = 12A max. per circuit when this receptacle is loaded with 45750 series terminals crimped to 16 AWG wire and mated to a header. See Molex product specification PS-45750-001 for additional current derating information.

Mini-Fit BMI™

Mini-Fit BMI™

Overview

Product Name

Physical

Breakaway
Circuits (maximum)
Color - Resin
Flammability
Flammability
Gender
Glow-Wire Compliant
Lock to Mating Part
Material - Resin
Number of Rows
Packaging Type
Panel Mount
Pitch - Mating Interface (in)
Pitch - Mating Interface (mm)
Polarized to Mating Part
Stackable
Temperature Range - Operating

No

4

Natural (White)

94V-0

94V-2

Female

No

None

Nylon

2

Bag

Yes

0.165 In

4.20 mm

Yes

No

-40°C to +105°C

Electrical

CSA
Current - Maximum
Current - Maximum
TUV
UL

LR19980

12A

8A

R72081037

E29179

Material Info

Old Part Number

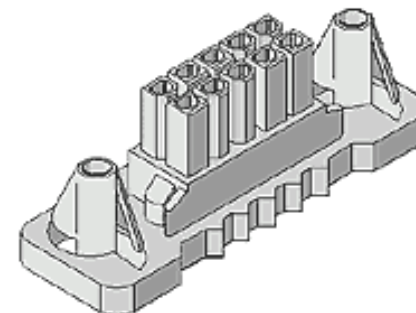
42474-0421

Reference - Drawing Numbers

Product Specification
Sales Drawing

PS-5556-002

SD-42474-****



Series image - Reference only

EU RoHS

ELV and RoHS

Compliant

REACH SVHC

Contains SVHC: No

Halogen-Free

Status

Halogen-Free

China RoHS



Need more information on product environmental compliance?

Email productcompliance@molex.com
Please visit the [Contact Us](#) section for any non-product compliance questions.

Search Parts in this Series

[42474 Series](#)

Mates With

[42475](#) Mini-Fit BMI™ Plug Housing. [43879](#) MiniFit CPI™ Header. Mini-Fit BMI™ Header [42404](#) , [42440](#). Mini-Fit SMC™ Surface Mount Compatible Header [43810](#) , [44068](#)

Use With

[5556](#) Mini-Fit™ Crimp Terminal

PLEASE CHECK WWW.MOLEX.COM FOR LATEST PART INFORMATION