

**PLEASE CHECK WWW.MOLEX.COM FOR LATEST PART INFORMATION**

**Part Number:** [0015244048](#)  
**Status:** **Active**  
**Overview:** Disk Drive Power Connector  
**Description:** 5.08mm Pitch Disk Drive Power Connection System, Female Crimp Housing

**Documents:**

[3D Model](#) [Product Specification PS-8981-4M\\*/4P\\* \(PDF\)](#)  
[Drawing \(PDF\)](#) [RoHS Certificate of Compliance \(PDF\)](#)

**Agency Certification**

CSA LR19980  
 UL E29179

**General**

Product Family Crimp Housings  
 Series [8981](#)  
 Application Power  
 MolexKits Yes  
 Overview [Disk Drive Power Connector](#)  
 Product Name Disk Drive Power  
 UPC 800753643215

**Physical**

Circuits (maximum) 4  
 Color - Resin Natural  
 Flammability 94V-2  
 Gender Female  
 Glow-Wire Compliant No  
 Material - Resin Nylon  
 Net Weight 1.640/g  
 Number of Rows 1  
 Packaging Type Bag  
 Panel Mount No  
 Pitch - Mating Interface 5.08mm  
 Temperature Range - Operating -10°C to +85°C

**Solder Process Data**

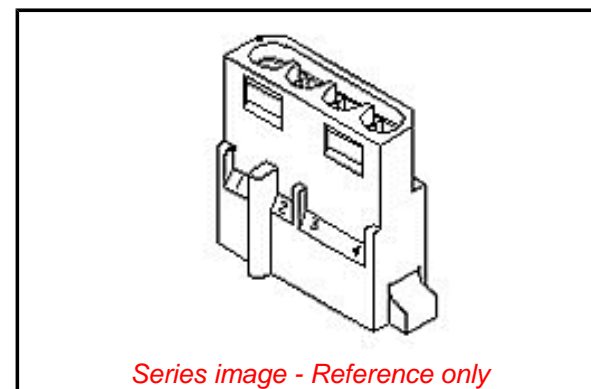
Lead-freeProcess Capability N/A

**Material Info**

Old Part Number 8981-4P

**Reference - Drawing Numbers**

Product Specification PS-8981-4M\*/4P\*, RPS-8980-002  
 Sales Drawing SD-8981-4P



**EU ELV**

**Not Relevant**

**EU RoHS**

**Compliant**

**China RoHS**

**REACH SVHC**

Contains SVHC(2015  
 June 15): No

**Halogen-Free**

**Status**

**Low-Halogen**

**Need more information on product  
 environmental compliance?**

Email [productcompliance@molex.com](mailto:productcompliance@molex.com)  
 Please visit the [Contact Us](#) section for any  
 non-product compliance questions.

China ROHS

Green Image

ELV

Not Relevant

**Search Parts in this Series**

[8981](#) Series

**Mates With**

[8981](#) Disk Drive Power Connection System

**Use With**

[8980](#) Plug