

PLEASE CHECK WWW.MOLEX.COM FOR LATEST PART INFORMATION

Part Number: [0015247140](#)
Status: **Active**
Description: 4.20mm (.165") Pitch Mini-Fit BMI™ Receptacle Header, Dual Row, Vertical, with Snap-In Plastic Pegs, Post 2.54µm (100µ") Tin (Sn), UL 94V-2, 14 Circuits

Documents:

[3D Model](#) [Product Specification PS-5556-002 \(PDF\)](#)
[Packaging Specification \(PDF\)](#) [RoHS Certificate of Compliance \(PDF\)](#)
[Drawing \(PDF\)](#)

General

Product Family	PCB Receptacles
Series	42385
Application	Board-to-Board
Comments	Solder Type With Pegs
Product Name	Mini-Fit BMI™

Physical

Circuits (Loaded)	14
Color - Resin	Natural
Durability (mating cycles max)	30
Flammability	94V-2
Glow-Wire Compliant	No
Guide to Mating Part	Yes
Keying to Mating Part	None
Lock to Mating Part	None
Material - Metal	Brass
Material - Plating Mating	Tin
Material - Resin	Nylon
Number of Rows	2
Orientation	Vertical
PCB Locator	Yes
PCB Retention	Yes
PCB Thickness Recommended (in)	0.070 In
PCB Thickness Recommended (mm)	1.80 mm
Packaging Type	Tray
Pitch - Mating Interface (in)	0.165 In
Pitch - Mating Interface (mm)	4.20 mm
Polarized to Mating Part	Yes
Polarized to PCB	Yes
Surface Mount Compatible (SMC)	No
Temperature Range - Operating	-40°C to +105°C
Termination Interface: Style	Through Hole

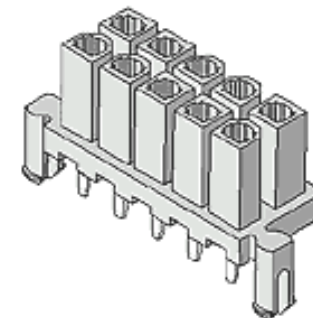
Electrical

CSA	LR19980
Current - Maximum	6A
Grounding to PCB	No
UL	E29179
Voltage - Maximum	600V

Solder Process Data

Duration at Max. Process Temperature (seconds)	5
Lead-free Process Capability	Wave Capable (TH only)
Max. Cycles at Max. Process Temperature	1
Process Temperature max. C	240

Material Info



Series image - Reference only

EU RoHS

**ELV and RoHS
Compliant**

REACH SVHC

**Contains SVHC: No
Halogen-Free**

Status

Not Reviewed

**Need more information on product
environmental compliance?**

Email productcompliance@molex.com
Please visit the [Contact Us](#) section for any non-product compliance questions.

China RoHS



Search Parts in this Series

[42385](#) Series

Mates With

[42475](#) Panel Mount Plug, [42404](#) Vertical Header, [42440](#) Vertical Header, [43879](#) Vertical Header, [44068](#) Vertical Header

Old Part Number

A-42385-14A1

Reference - Drawing Numbers

Product Specification

PS-5556-002

Sales Drawing

SDA-42385-*

This document was generated on 11/04/2009

PLEASE CHECK WWW.MOLEX.COM FOR LATEST PART INFORMATION