

PLEASE CHECK WWW.MOLEX.COM FOR LATEST PART INFORMATION

Part Number: [0015247187](#)
Status: **Active**
Description: 4.20mm (.165") Pitch Mini-Fit BMI™ Receptacle Header, Dual Row, Vertical, with Snap-In Plastic Pegs, 0.8µm (30µ") Gold (Au), UL 94V-0, 18 Circuits

Documents:

[3D Model](#) [Product Specification PS-5556-002 \(PDF\)](#)
[Packaging Specification \(PDF\)](#) [RoHS Certificate of Compliance \(PDF\)](#)
[Drawing \(PDF\)](#)

General

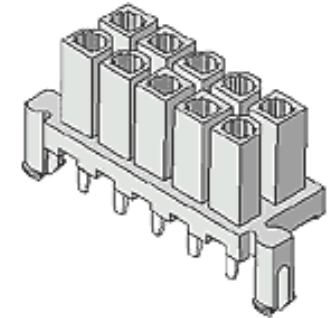
Product Family PCB Receptacles
 Series [42385](#)
 Application Board-to-Board
 Comments Solder Type|With Pegs
 Product Name Mini-Fit BMI™

Physical

Circuits (Loaded) 18
 Circuits (maximum) 18
 Color - Resin Natural (White)
 Durability (mating cycles max) 30
 Flammability 94V-0
 Glow-Wire Compliant No
 Guide to Mating Part Yes
 Keying to Mating Part None
 Lock to Mating Part None
 Material - Metal Phosphor Bronze
 Material - Plating Mating Gold
 Material - Plating Termination Tin
 Material - Resin Nylon
 Number of Rows 2
 Orientation Vertical
 PC Tail Length (in) 0.138 In
 PC Tail Length (mm) 3.50 mm
 PCB Locator Yes
 PCB Retention Yes
 PCB Thickness Recommended (in) 0.070 In
 PCB Thickness Recommended (mm) 1.78 mm
 Packaging Type Tray
 Pitch - Mating Interface (in) 0.165 In
 Pitch - Mating Interface (mm) 4.20 mm
 Pitch - Term. Interface (in) 0.165 In
 Pitch - Term. Interface (mm) 4.20 mm
 Plating min: Mating (µin) 30
 Plating min: Mating (µm) 0.75
 Plating min: Termination (µin) 100
 Plating min: Termination (µm) 2.54
 Polarized to Mating Part Yes
 Polarized to PCB Yes
 Stackable No
 Surface Mount Compatible (SMC) No
 Temperature Range - Operating -40°C to +105°C
 Termination Interface: Style Through Hole

Electrical

CSA LR19980



Series image - Reference only

EU RoHS

ELV and RoHS Compliant

REACH SVHC

Contains SVHC: No Halogen-Free

Status

Not Reviewed

China RoHS



Need more information on product environmental compliance?

Email productcompliance@molex.com
 Please visit the [Contact Us](#) section for any non-product compliance questions.

Duration at Max. 5
 Process Temperature (seconds)
 Lead-free Process Wave Capable (TH Capability only)
 Max. Cycles at Max. 1
 Process Temperature
 Process Temperature 240 max. C

Search Parts in this Series

[42385 Series](#)

Mates With

[42475](#) Panel Mount Plug, [42404](#) Vertical Header, [42440](#) Vertical Header, [43879](#) Vertical Header, [44068](#) Vertical Header

Current - Maximum	6A
Grounding to PCB	No
UL	E29179
Voltage - Maximum	600V AC (RMS)/DC

Material Info

Old Part Number	42385-18D2
-----------------	------------

Reference - Drawing Numbers

Product Specification	PS-5556-002
Sales Drawing	SDA-42385-*

This document was generated on 11/06/2009

PLEASE CHECK WWW.MOLEX.COM FOR LATEST PART INFORMATION