

PLEASE CHECK WWW.MOLEX.COM FOR LATEST PART INFORMATION

Part Number: [0015978062](#)

Status: **Active**

Overview:

Description: 4.20mm (.165") Pitch Mini-Fit TPA™ Header, Dual Row, Right Angle, with PCB Mounting Flange, 6 Circuits, Tin (Sn) Plating

Documents:

[3D Model](#)
[Drawing \(PDF\)](#)

[Product Specification PS-5556-003 \(PDF\)](#)
[RoHS Certificate of Compliance \(PDF\)](#)

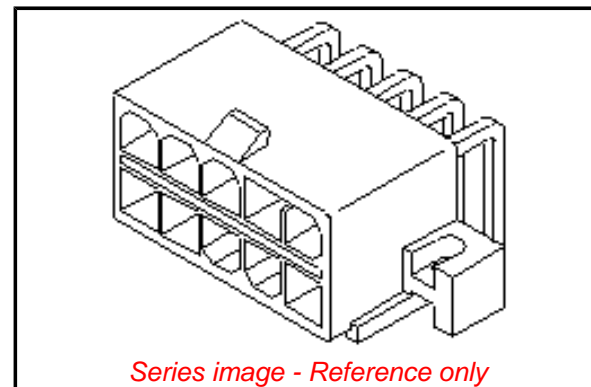
General

Product Family	PCB Headers
Series	30070
Application	Wire-to-Board
Comments	See Molex Product specification PS-5556-003 for additional current de-rating information.
Overview	Mini-Fit TPA™153;
Product Name	Mini-Fit TPA™

Physical

Breakaway	No
Circuits (Loaded)	6
Circuits (maximum)	6
Color - Resin	Black
Durability (mating cycles max)	30
First Mate / Last Break	No
Flammability	94V-0
Glow-Wire Compliant	No
Guide to Mating Part	No
Keying to Mating Part	None
Lock to Mating Part	Yes
Material - Metal	Brass
Material - Plating Mating	Tin
Material - Plating Termination	Tin
Material - Resin	Polyester
Number of Rows	2
Orientation	Right Angle
PC Tail Length (in)	0.160 In
PC Tail Length (mm)	4.10 mm
PCB Locator	Yes
PCB Retention	Yes
PCB Thickness Recommended (in)	0.070 In
PCB Thickness Recommended (mm)	1.80 mm
Packaging Type	Tray
Pitch - Mating Interface (in)	0.165 In
Pitch - Mating Interface (mm)	4.20 mm
Pitch - Term. Interface (in)	0.165 In
Pitch - Term. Interface (mm)	4.20 mm
Polarized to Mating Part	Yes
Polarized to PCB	Yes
Shrouded	Partial
Stackable	No
Surface Mount Compatible (SMC)	No
Temperature Range - Operating	-40°C to +105°C
Termination Interface: Style	Through Hole

Electrical



Series image - Reference only

EU RoHS

ELV and RoHS Compliant

REACH SVHC

Contains SVHC: No

Halogen-Free

Status

Not Halogen-Free

China RoHS



Need more information on product environmental compliance?

Email productcompliance@molex.com
Please visit the [Contact Us](#) section for any non-product compliance questions.

Search Parts in this Series

[30070 Series](#)

Mates With

[30067 TPA™ Receptacle](#)

CSA	LR19980
Current - Maximum	8A
TUV	R72081037
UL	E29179
Voltage - Maximum	600V
Solder Process Data	
Duration at Max. Process Temperature (seconds)	5
Lead-free Process Capability	Wave Capable (TH only)
Max. Cycles at Max. Process Temperature	1
Process Temperature max. C	260
Material Info	
Old Part Number	30070-06A3
Reference - Drawing Numbers	
Product Specification	PS-5556-003
Sales Drawing	SDA-30070-****

This document was generated on 11/05/2009

PLEASE CHECK WWW.MOLEX.COM FOR LATEST PART INFORMATION