

**PLEASE CHECK WWW.MOLEX.COM FOR LATEST PART INFORMATION**

**Part Number:** [0019091019](#)  
**Status:** **Active**  
**Overview:** Standard .093"  
**Description:** 2.36mm (.093") Diameter Standard .093" Pin and Socket Receptacle Housing With Positive Latch, UL 94V-2, 1 Circuit

**Documents:**

[3D Model](#) [Packaging Specification \(PDF\)](#)  
[Drawing \(PDF\)](#) [RoHS Certificate of Compliance \(PDF\)](#)

**General**

Product Family Crimp Housings  
 Series [3191](#)  
 Comments Polarized to Mating Part, Without Mounting Ears  
 Overview [Standard .093"](#)  
 Product Name [Standard .093"](#)

**Physical**

Breakaway No  
 Circuits (maximum) 1  
 Color - Resin Natural  
 Flammability 94V-2  
 Gender Dual  
 Glow-Wire Compliant No  
 Keying to Mating Part None  
 Lock to Mating Part Yes  
 Material - Resin Nylon  
 Number of Rows 1  
 Packaging Type Bag  
 Panel Mount No  
 Pitch - Mating Interface (in) 0.264 In  
 Pitch - Mating Interface (mm) 6.71 mm  
 Stackable No  
 Temperature Range - Operating -40°C to +105°C

**Electrical**

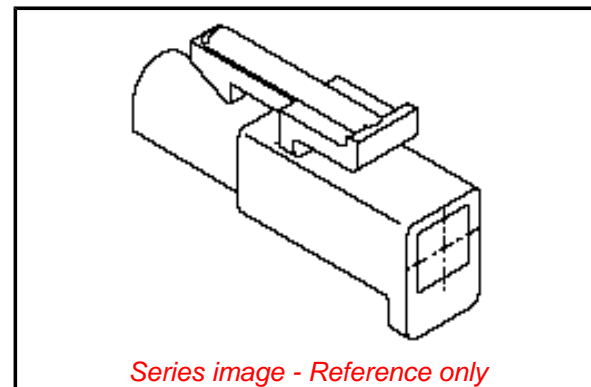
CSA LR19980  
 Current - Maximum 12A  
 UL E29179

**Material Info**

Old Part Number 3191-1R1

**Reference - Drawing Numbers**

Sales Drawing SD-3191-1\*



Series image - Reference only

**EU RoHS**

**ELV and RoHS  
 Compliant  
 REACH SVHC  
 Contains SVHC: No  
 Halogen-Free  
 Status  
 Not Reviewed**

**China RoHS**



**Need more information on product  
 environmental compliance?**

Email [productcompliance@molex.com](mailto:productcompliance@molex.com)  
 Please visit the [Contact Us](#) section for any  
 non-product compliance questions.

**Search Parts in this Series**

[3191](#) Series

**Mates With**

[3191](#) Pin and Socket Plug, [5219](#) Vertical  
 PCB Header

**Use With**

[1189](#) Crimp Terminals, [1190](#) Crimp  
 Terminals, [1380](#) Male Crimp Terminals,  
[1381](#) Female Crimp Terminals, [1433](#) Crimp  
 Terminals, [1434](#) Male Crimp Terminals,  
[2605](#) , [2606](#) , [1973](#) , [2151](#) , [2273](#) , [2870](#) ,  
[2871](#) , [4272](#) , Lin