

[Molex.com](#)

English
日本語
한국어
简体中文

[Register | Login](#)
[My Parts \(0 items \)](#)

Search site: Search: [Go](#)

- Product Name**
- Cross-Ref**
- Catalog**
- Literature**
- Industries**
- Standards**
- Contact Us**
- About Us**
- Investors**
- Careers**

- [Connectors](#)
- [Sockets](#)
- [I/O Connectors](#)
- [Cable Assemblies](#)
- [Fiber Optics](#)
- [Printed Circuit Products](#)
- [Industrial Products](#)
- [Lighting Products](#)

Switch Language

- [Home](#)
- [PCB Receptacles](#)
- [Datasheet](#)

Need Assistance?

- [Contact Us](#)
- [Find a Distributor](#)
- [Order Samples](#)
- [Tech Library](#)
- [Ecocare](#)
- [Electrical Models](#)

[Printer-friendly page](#)

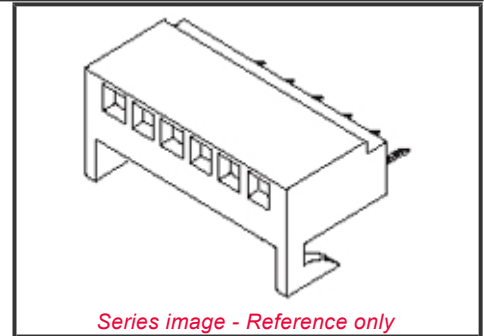
[Email this page](#)

Part Number:
0022182081

Status:
Active

Overview:
KK®

Description:
2.54mm (.100") Pitch KK® PC Board Connector, Top Entry, with Cat Ear Terminal, 0.38µm (15µ") Gold (Au), 8 Circuits, With Hooks



Documents: *Note - Please disable browser pop-up blockers for documents on www.molex.com*

[Drawing \(PDF\)](#)

[Product Specification PS-10-07 \(PDF\)](#)

[3D Model](#)

EU RoHS
ELV and RoHS
Compliant

REACH SVHC
Not Reviewed

Halogen-Free
Status
Halogen-Free

China RoHS



Need more information on product environmental compliance?

Email productcompliance@molex.com

For a multiple part number RoHS Certificate of Compliance, [click here](#)

Please visit the [Contact Us](#) section for any non-product compliance questions.

Search Parts in this Series

[4455Series](#)

Mates With

[42153](#) KK® Wire-to-Board Header, [4094](#) KK® Wire-to-Board Header, [42376](#) KK® Header, [42375](#) KK® Header, [42377](#) KK® Header, [70021](#) SL™ Crimp Terminal, [70475](#) SL™ Insulation Displacement Connector, [42152](#) KK® Wire-to-Board Heade

Order Products:

Part Detail: ([show all](#))

[General](#)[Physical](#)[Electrical](#)[Agency Certification](#)[Solder Process Data](#)[Material Info](#)[Reference - Drawing Numbers](#)

General

Product Family	PCB Receptacles
Series	4455
Application	Board-to-Board
Comments	With Hooks
Overview	KK®
Product Name	KK®

Physical

Circuits (Loaded)	8
Color - Resin	Natural (White)
Flammability	94V-0
Glow-Wire Compliant	No
Guide to Mating Part	No
Keying to Mating Part	None
Lock to Mating Part	No
Material - Plating Mating	Gold
Material - Plating Termination	Tin
Material - Resin	Nylon
Number of Rows	1
Orientation	Vertical
PC Tail Length (in)	0.132 In
PC Tail Length (mm)	3.35 mm
PCB Locator	No
PCB Retention	None
PCB Thickness Recommended (in)	0.062 In
PCB Thickness Recommended (mm)	1.60 mm
Packaging Type	Tray
Pitch - Mating Interface (in)	0.100 In
Pitch - Mating Interface (mm)	2.54 mm
Plating min: Mating (μ in)	15
Plating min: Mating (μ m)	0.375
Plating min: Termination (μ in)	100
Plating min: Termination (μ m)	2.5
Polarized to PCB	No
Surface Mount Compatible (SMC)	No
Temperature Range - Operating	0°C to +75°C
Termination Interface: Style	Through Hole

Electrical(Please review the Product Specification for specific details.)

Current - Maximum per Contact	2.5A
Grounding to PCB	No
Voltage - Maximum	250V

Agency Certification

CSA	LR19980
UL	E29179

Solder Process Data

Duration at Max. Process Temperature (seconds)	5
Lead-free Process Capability	Wave Capable (TH only)
Max. Cycles at Max. Process Temperature	1
Process Temperature max. C	235

Material Info

Old Part Number	A-4455-CZ08A(208)
-----------------	-------------------

Reference - Drawing Numbers

Product Specification	PS-10-07
Sales Drawing	SDA-4455

- [Feedback](#)
- [Privacy](#)
- [Legal](#)
- [Site Map](#)
- [Help](#)

• Find us on
•    
Copyright 2005-2010