

[Molex.com](#)

English
日本語
한국어
简体中文

[Register | Login](#)
[My Parts \(0 items \)](#)

Search site:Search: [Go](#)

- Product Name**
- Cross-Ref**
- Catalog**
- Literature**
- Industries**
- Standards**
- Contact Us**
- About Us**
- Investors**
- Careers**

- [Connectors](#)
- [Sockets](#)
- [I/O Connectors](#)
- [Cable Assemblies](#)
- [Fiber Optics](#)
- [Printed Circuit Products](#)
- [Industrial Products](#)
- [Lighting Products](#)

Switch Language

- [Home](#)
- [Crimp Housings](#)
- [Datasheet](#)

Need Assistance?

- [Contact Us](#)
- [Find a Distributor](#)
- [Order Samples](#)
- [Tech Library](#)
- [Ecocare](#)
- [Electrical Models](#)

[Printer-friendly page](#)

[Email this page](#)

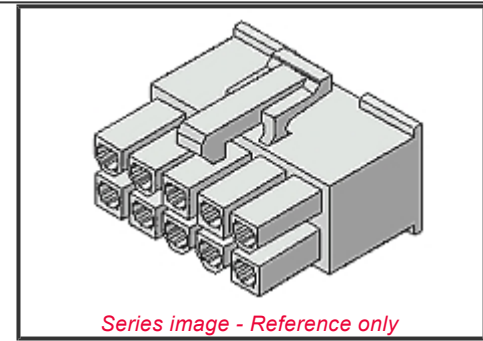
Part Number:
0039012040

Status:
Active

Overview:
Mini-Fit Jr.™

Description:
4.20mm (.165") Pitch Mini-Fit Jr.™ Receptacle Housing, Dual Row, UL 94V-2, 4 Circuits

Documents: *Note - Please disable browser pop-up blockers for documents on www.molex.com*
[Drawing \(PDF\)](#) [Product Specification PS-5556-001 \(PDF\)](#)



Series image - Reference only

[3D Model](#)

EU RoHS
ELV and RoHS
Compliant

REACH SVHC
Contains SVHC: No

Halogen-Free
Status
Halogen-Free

China RoHS



Need more information on product environmental compliance?

Email productcompliance@molex.com

For a multiple part number RoHS Certificate of Compliance, [click here](#)

Please visit the [Contact Us](#) section for any non-product compliance questions.

Search Parts in this Series

[5557Series](#)

Mates With

[5559d](#), [5566vw](#), [5566vw.o](#), [5569rdf](#), [5569rdp](#), [43810a](#), [43810b](#), [43810c](#), [43810d](#), [44068a](#), [44068b](#), [44068c](#), [44068d](#), [44281](#), [44472dw](#), [44472dw.o](#), [87427](#), [87427r](#), [87427rf](#), [42404](#), [44474](#), [42440](#), [43879](#), [42475](#)

Use With

[5556](#), [44476](#), [44485](#), [41995](#)

Order Products:

Part Detail: ([show all](#))

[GeneralPhysicalElectricalAgency CertificationMaterial InfoReference - Drawing Numbers](#)

General

Product Family	Crimp Housings
Series	<u>5557</u>
Comments	Current = 13A max. per circuit when header is mated to a receptacle loaded with <u>45750</u> series terminals crimped to 16 AWG wire. See Molex product specification PS-45750-001 for additional current de-rating information.
Overview	<u>Mini-Fit Jr.™</u>
Product Name	Mini-Fit Jr.™

Physical

Breakaway	No
Circuits (maximum)	4
Color - Resin	Natural
Flammability	94V-2
Gender	Female
Glow-Wire Compliant	No
Material - Resin	Nylon
Number of Rows	2
Packaging Type	Bag
Panel Mount	No
Pitch - Mating Interface (in)	0.165 In
Pitch - Mating Interface (mm)	4.20 mm
Pitch - Term. Interface (in)	0.165 In
Pitch - Term. Interface (mm)	4.20 mm
Polarized to Mating Part	Yes
Stackable	No
Temperature Range - Operating	-40°C to +105°C

Electrical(Please review the Product Specification for specific details.)

Current - Maximum per Contact	13A
-------------------------------	-----

Agency Certification

CSA	LR19980
TUV	R72081037
UL	E29179

Material Info

Old Part Number	5557-04R
-----------------	----------

Reference - Drawing Numbers

Product Specification PS-5556-001, RPS-501566-001, RPS-5557-001

Sales Drawing SD-5557-003

Feedback
Privacy
Legal
Site Map
Help

• Find us on
•    
Copyright 2005-2010