

**PLEASE CHECK WWW.MOLEX.COM FOR LATEST PART INFORMATION**

**Part Number:** [0039012180](#)  
**Status:** **Active**  
**Overview:**  
**Description:** 4.20mm (.165") Pitch Mini-Fit Jr.™ Receptacle Housing, Dual Row, UL 94V-2, 18 Circuits

**Documents:**

[3D Model](#) [Test Summary \(PDF\)](#)  
[Drawing \(PDF\)](#) [RoHS Certificate of Compliance \(PDF\)](#)

**General**

Product Family Crimp Housings  
 Series [5557](#)  
 Comments Glow Wire Equivalent Part Number [50361668](#)  
 Overview Mini-Fit Jr.&#153;  
 Product Name Mini-Fit Jr.™

**Physical**

Breakaway No  
 Circuits (maximum) 18  
 Color - Resin Natural  
 Flammability 94V-2  
 Gender Female  
 Glow-Wire Compliant No  
 Material - Resin Nylon  
 Number of Rows 2  
 Packaging Type Bag  
 Panel Mount No  
 Pitch - Mating Interface (in) 0.165 In  
 Pitch - Mating Interface (mm) 4.20 mm  
 Pitch - Term. Interface (in) 0.165 In  
 Pitch - Term. Interface (mm) 4.20 mm  
 Polarized to Mating Part Yes  
 Stackable No  
 Temperature Range - Operating -40°C to +105°C

**Electrical**

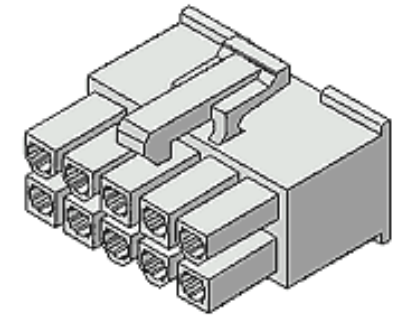
CSA LR19980  
 TUV R72081037  
 UL E29179

**Material Info**

Old Part Number 5557-18R

**Reference - Drawing Numbers**

Product Specification RPS-501566-001  
 Product Specification RPS-5557-003  
 Product Specification RPS-5557-006  
 Product Specification RPS-5557-009  
 Product Specification RPS-5557-010  
 Product Specification RPS-5557-022  
 Product Specification RPS-5557-025  
 Product Specification RPS-5557-032  
 Product Specification RPS-5557-038  
 Product Specification RPS-5557-039  
 Product Specification RPS-5557-040  
 Product Specification RPS-5557-041  
 Product Specification RPS-5557-047



Series image - Reference only

**EU RoHS**

**ELV and RoHS Compliant**  
**REACH SVHC Contains SVHC: No**  
**Halogen-Free Status**

**China RoHS**



**Not Reviewed**

**Need more information on product environmental compliance?**

Email [productcompliance@molex.com](mailto:productcompliance@molex.com)  
 Please visit the [Contact Us](#) section for any non-product compliance questions.

**Search Parts in this Series**

[5557 Series](#)

**Mates With**

[5559d](#) , [5566vw](#) , [5566vwo](#) , [5569rdf](#) , [5569rdp](#) , [43810a](#) , [43810b](#) , [43810c](#) , [43810d](#) , [44068a](#) , [44068b](#) , [44068c](#) , [44068d](#) , [44281](#) , [44472dw](#) , [44472dwo](#) , [87427](#) , [87427r](#) , [87427rf](#) , [42404](#) , [44474](#) , [42440](#) , [43879](#) , [42475](#)

**Use With**

[5556](#) , [44476](#) , [44485](#) , [41995](#)

Product Specification  
Product Specification  
Product Specification  
Product Specification  
Sales Drawing

RPS-5557-052  
RPS-5557-053  
RPS-5557-056  
RPS-5569-002  
SD-5557-003

This document was generated on 11/25/2009

**PLEASE CHECK [WWW.MOLEX.COM](http://WWW.MOLEX.COM) FOR LATEST PART INFORMATION**