

PLEASE CHECK WWW.MOLEX.COM FOR LATEST PART INFORMATION

Part Number: [0039012185](#)
Status: **Active**
Overview:
Description: 4.20mm (.165") Pitch Mini-Fit Jr.™ Receptacle Housing, Dual Row, UL 94V-0, 18 Circuits

Documents:

[3D Model](#) [Test Summary \(PDF\)](#)
[Drawing \(PDF\)](#) [RoHS Certificate of Compliance \(PDF\)](#)

General

Product Family Crimp Housings
 Series [5557](#)
 Overview Mini-Fit Jr.™
 Product Name Mini-Fit Jr.™

Physical

Breakaway No
 Circuits (maximum) 18
 Color - Resin Ivory
 Flammability 94V-0
 Flammability 94V-2
 Gender Female
 Glow-Wire Compliant No
 Material - Resin Nylon
 Number of Rows 2
 Packaging Type Bag
 Panel Mount No
 Pitch - Mating Interface (in) 0.165 In
 Pitch - Mating Interface (mm) 4.20 mm
 Pitch - Term. Interface (in) 0.165 In
 Pitch - Term. Interface (mm) 4.20 mm
 Polarized to Mating Part Yes
 Stackable No
 Temperature Range - Operating -40°C to +105°C

Electrical

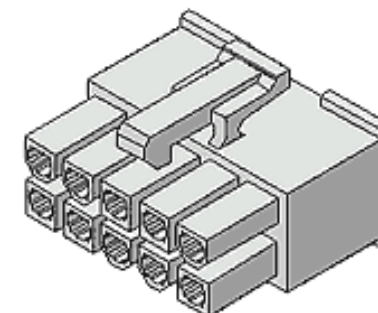
CSA LR19980
 TUV R72081037
 UL E29179

Material Info

Old Part Number 5557-18R-210

Reference - Drawing Numbers

Product Specification RPS-5557-003
 Product Specification RPS-5557-004
 Product Specification RPS-5557-006
 Product Specification RPS-5557-009
 Product Specification RPS-5557-024
 Product Specification RPS-5557-031
 Product Specification RPS-5557-036
 Product Specification RPS-5557-037
 Product Specification RPS-5557-039
 Product Specification RPS-5557-040
 Product Specification RPS-5557-050
 Product Specification RPS-5557-052
 Product Specification RPS-5557-053



Series image - Reference only

EU RoHS

**ELV and RoHS
 Compliant**
**REACH SVHC
 Contains SVHC: No**
**Halogen-Free
 Status**

China RoHS



**Need more information on product
 environmental compliance?**

Email productcompliance@molex.com
 Please visit the [Contact Us](#) section for any
 non-product compliance questions.

Search Parts in this Series

[5557 Series](#)

Mates With

[5559d](#) , [5566vw](#) , [5566vwo](#) , [5569rdf](#) ,
[5569rdp](#) , [43810a](#) , [43810b](#) , [43810c](#) ,
[43810d](#) , [44068a](#) , [44068b](#) , [44068c](#) ,
[44068d](#) , [44281](#) , [44472dw](#) , [44472dwo](#) ,
[87427](#) , [87427r](#) , [87427rf](#) , [42404](#) , [44474](#) ,
[42440](#) , [43879](#) , [42475](#)

Use With

[5556](#) , [44476](#) , [44485](#) , [41995](#)

Product Specification
Product Specification
Product Specification
Sales Drawing

RPS-5557-056
RPS-5557-058
RPS-5569-002
SD-5557-003

This document was generated on 11/25/2009

PLEASE CHECK WWW.MOLEX.COM FOR LATEST PART INFORMATION