

[Molex.com](#)

English
日本語
한국어
简体中文

[Register | Login](#)
[My Parts \(0 items \)](#)

Search site:Search: [Go](#)

- Product Name**
- Cross-Ref**
- Catalog**
- Literature**
- Industries**
- Standards**
- Contact Us**
- About Us**
- Investors**
- Careers**

- [Connectors](#)
- [Sockets](#)
- [I/O Connectors](#)
- [Cable Assemblies](#)
- [Fiber Optics](#)
- [Printed Circuit Products](#)
- [Industrial Products](#)
- [Lighting Products](#)

Switch Language

- [Home](#)
- [Crimp Housings](#)
- [Datasheet](#)

Need Assistance?

- [Contact Us](#)
- [Find a Distributor](#)
- [Order Samples](#)
- [Tech Library](#)
- [Ecocare](#)
- [Electrical Models](#)

[Printer-friendly page](#)

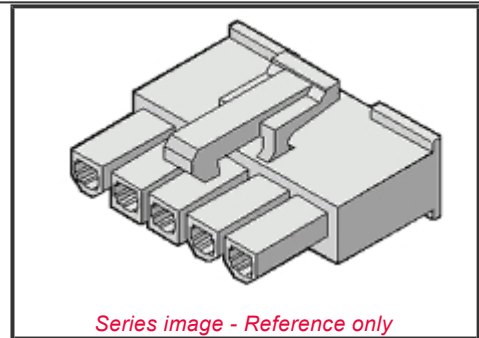
[Email this page](#)

Part Number:
0039014051

Status:
Active

Overview:
Mini-Fit Jr.™

Description:
4.20mm (.165") Pitch Mini-Fit Jr.™ Receptacle Housing, Single Row, PA Polyamide Nylon 6/6, UL 94V-0, 5 Circuits



Documents: *Note - Please disable browser pop-up blockers for documents on www.molex.com*

[Drawing \(PDF\)](#)

[Product Specification PS-5556-001 \(PDF\)](#)

[3D Model](#)

EU RoHS
ELV and RoHS
Compliant

REACH SVHC
Not Reviewed

Halogen-Free
Status
Halogen-Free

China RoHS



Need more information on product environmental compliance?Email productcompliance@molex.comFor a multiple part number RoHS Certificate of Compliance, [click here](#)Please visit the [Contact Us](#) section for any non-product compliance questions.**Search Parts in this Series**[5557Series](#)**Mates With**[39-01-4053](#) Panel Mount Plug, [39-01-4057](#) Free Hanging Plug, [39-30-2056](#) Vertical Header, [39-30-2058](#) Vertical Header, [39-30-3056](#) Right Angle Header**Use With**[44476](#) Mini-Fit HCS™ Female Crimp Terminals
[45750](#) Mini-Fit Plus HCS™ Female Crimp Terminals
[5556](#) Mini-Fit Jr.™ Female Crimp Terminals
[444851211](#) Mini-Fit® High Cycle Female Crimp Terminal**Order Products:****Part Detail:** ([show all](#))[GeneralPhysicalElectricalAgency CertificationMaterial InfoReference - Drawing Numbers](#)

General

Product Family	Crimp Housings
Series	<u>5557</u>
Comments	Current = 13A max. per circuit when header is mated to a receptacle loaded with <u>45750</u> series terminals crimped to 16 AWG wire. See Molex product specification PS-45750-001 for additional current de-rating information. See Molex product specification PS-5556-001 for additional current de-rating information.
Overview	<u>Mini-Fit Jr.™</u>
Product Name	Mini-Fit Jr.™

Physical

Breakaway	No
Circuits (maximum)	5
Color - Resin	Natural (White)
Flammability	94V-0
Gender	Female
Glow-Wire Compliant	No
Keying to Mating Part	None
Lock to Mating Part	Yes
Material - Resin	Nylon
Number of Rows	1
Packaging Type	Bag
Panel Mount	No
Pitch - Mating Interface (in)	0.165 In
Pitch - Mating Interface (mm)	4.20 mm
Pitch - Term. Interface (in)	0.165 In
Pitch - Term. Interface (mm)	4.20 mm
Polarized to Mating Part	Yes
Stackable	No
Temperature Range - Operating	-40°C to +105°C

Electrical(Please review the Product Specification for specific details.)

Current - Maximum per Contact	13A
-------------------------------	-----

Agency Certification

CSA	LR19980
TUV	R72081037
UL	E29179

Material Info

Old Part Number	5557-05R2-210
-----------------	---------------

Reference - Drawing Numbers

Product Specification	PS-5556-001
Sales Drawing	SD-5557-NR2*

- [Feedback](#)
- [Privacy](#)
- [Legal](#)
- [Site Map](#)
- [Help](#)

• Find us on

•    

Copyright 2005-2010