

**PLEASE CHECK WWW.MOLEX.COM FOR LATEST PART INFORMATION**

**Part Number:** [0039036040](#)  
**Status:** **Active**  
**Overview:**  
**Description:** 2.36mm (.093") Diameter Standard .093" Pin and Socket Plug Housing With Positive Latch, UL 94V-2, Panel Mount, 4 Circuits

**Documents:**

[Drawing \(PDF\)](#) [RoHS Certificate of Compliance \(PDF\)](#)  
[Product Specification PS-3191-001 \(PDF\)](#)

**General**

Product Family	Crimp Housings
Series	<a href="#">3191</a>
Comments	Polarized to Mating Part
Overview	Standard .093"
Product Name	Standard .093"

**Physical**

Breakaway	No
Circuits (maximum)	4
Circuits Detail	2x2
Flammability	94V-2
Gender	Dual
Glow-Wire Compliant	No
Keying to Mating Part	None
Lock to Mating Part	Yes
Number of Rows	1
Packaging Type	Bag
Panel Mount	Yes
Pitch - Mating Interface (in)	0.264 In
Pitch - Mating Interface (mm)	6.71 mm
Stackable	No
Temperature Range - Operating	-40°C to +105°C

**Electrical**

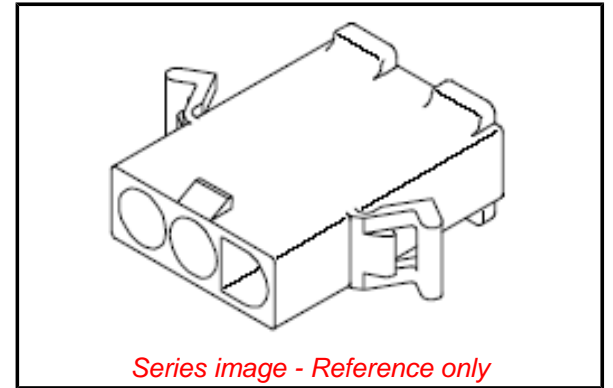
CSA	LR19980
Current - Maximum	9A
TUV	R72081037
UL	E29179

**Material Info**

Old Part Number	3191-04P
-----------------	----------

**Reference - Drawing Numbers**

Product Specification	PS-3191-001
Sales Drawing	SD-3191-005



**EU RoHS**

**ELV and RoHS  
Compliant**  
**REACH SVHC  
Contains SVHC: No**  
**Halogen-Free  
Status  
Not Reviewed**

**China RoHS**



**Need more information on product  
environmental compliance?**

Email [productcompliance@molex.com](mailto:productcompliance@molex.com)  
Please visit the [Contact Us](#) section for any non-product compliance questions.

**Search Parts in this Series**

[3191 Series](#)

**Mates With**

[3191 Pin and Socket Rectacle](#), [5219 Vertical PCB Header](#)

**Use With**

[1189 Crimp Terminals](#), [1190 Crimp Terminals](#), [1380 Male Crimp Terminals](#), [1381 Female Crimp Terminals](#), [1433 Crimp Terminals](#), [1434 Male Crimp Terminals](#), [2605](#), [2606](#), [1973](#), [2151](#), [2273](#), [2870](#), [2871](#), [4272](#), Lin