

[Molex.com](#)

English  
日本語  
한국어  
简体中文

[Register](#) | [Login](#)  
[My Parts](#) ( 0 items )

Search site: Search:  [Go](#)

- Product Name**
- Cross-Ref**
- Catalog**
- Literature**
- Industries**
- Standards**
- Contact Us**
- About Us**
- Investors**
- Careers**

- [Connectors](#)
- [Sockets](#)
- [I/O Connectors](#)
- [Cable Assemblies](#)
- [Fiber Optics](#)
- [Printed Circuit Products](#)
- [Industrial Products](#)
- [Lighting Products](#)

**Switch Language**

- [Home](#)
- [PCB Headers](#)
- [Datasheet](#)

**Need Assistance?**

- [Contact Us](#)
- [Find a Distributor](#)
- [Order Samples](#)
- [Tech Library](#)
- [Ecocare](#)
- [Electrical Models](#)

[Printer-friendly page](#)

[Email this page](#)

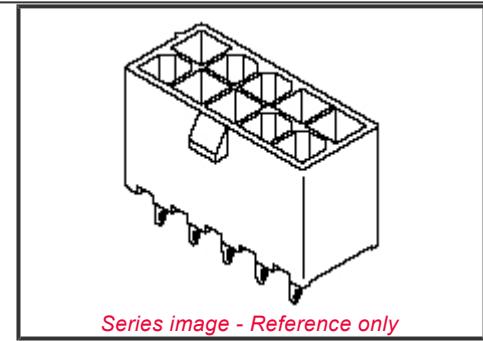
**Part Number:**  
**0039290203**

**Status:**  
**Active**

**Overview:**  
**Mini-Fit Jr.™**

**Description:**  
4.20mm (.165") Pitch Mini-Fit Jr.™ Header, Dual Row, Vertical, without Snap-in Plastic Peg PCB Lock, 20 Circuits, PA Polyamide Nylon 6/6 94V-2, 0.76µm (30µ") Gold (Au) Selective Plating, without Drain Holes

**Documents:** *Note - Please disable browser pop-up blockers for documents on www.molex.com*  
[Drawing \(PDF\)](#)      [3D Model](#)



**EU RoHS**  
ELV and RoHS  
Compliant

**REACH SVHC**  
Contains SVHC: No

**Halogen-Free**  
**Status**  
Not Reviewed

**China RoHS**



**Need more information on product environmental compliance?**Email [productcompliance@molex.com](mailto:productcompliance@molex.com)For a multiple part number RoHS Certificate of Compliance, [click here](#)Please visit the [Contact Us](#) section for any non-product compliance questions.**Search Parts in this Series**[5566](#)Series**Mates With**[5557](#) Mini-Fit Jr.™ Receptacle Housing[Datasheet \(PDF\)](#)**Order Products:****Part Detail:** ([show all](#))[General](#)[Physical](#)[Electrical](#)[Agency Certification](#)[Material Info](#)[Reference - Drawing Numbers](#)**General**

Product Family	PCB Headers
Series	<a href="#">5566</a>
Application	Wire-to-Board
Comments	Current = 13A max. per circuit when header is mated to a receptacle loaded with <a href="#">45750</a> Mini-Fit Plus HCS™ Crimp Terminal Crimped to to 16 AWG wire. See Molex product specification PS-45750-001 for additional current de-rating information. High Temperature, Square Pin, Solder Type
Overview	<a href="#">Mini-Fit Jr.™</a>
Product Name	Mini-Fit Jr.™

**Physical**

Breakaway	No
Circuits (Loaded)	20
Circuits (maximum)	20
Color - Resin	Natural
Durability (mating cycles max)	30
First Mate / Last Break	No
Flammability	94V-2
Glow-Wire Compliant	No
Guide to Mating Part	No
Keying to Mating Part	None
Lock to Mating Part	Yes
Material - Metal	Brass
Material - Plating Mating	Gold
Material - Plating Termination	Tin
Material - Resin	Nylon
Number of Rows	2
Orientation	Vertical
PC Tail Length (in)	0.138 In
PC Tail Length (mm)	3.50 mm
PCB Locator	Yes
PCB Retention	None
PCB Thickness Recommended (in)	0.062 In
PCB Thickness Recommended (mm)	1.60 mm
Packaging Type	Bag
Pitch - Mating Interface (in)	0.165 In
Pitch - Mating Interface (mm)	4.20 mm
Pitch - Term. Interface (in)	0.165 In
Pitch - Term. Interface (mm)	4.20 mm
Plating min: Mating (µin)	30
Plating min: Mating (µm)	0.76
Plating min: Termination (µin)	100
Plating min: Termination (µm)	2.54
Polarized to Mating Part	Yes
Polarized to PCB	Yes
Shrouded	Fully
Stackable	No
Surface Mount Compatible (SMC)	No
Temperature Range - Operating	-40°C to +105°C
Termination Interface: Style	Through Hole

**Electrical**(Please review the Product Specification for specific details.)

Current - Maximum per Contact	13A
Voltage - Maximum	600V

**Agency Certification**

CSA	LR19980
TUV	R72081037
UL	E29179

**Material Info**

Old Part Number	5566-20AGS
-----------------	------------

**Reference - Drawing Numbers**

Sales Drawing	SD-5566-002, SD-5566-NA**-*
---------------	-----------------------------