

PLEASE CHECK WWW.MOLEX.COM FOR LATEST PART INFORMATION

Part Number: [0039291067](#)

Status: **Active**

Overview:

Description: 4.20mm (.165") Pitch Mini-Fit Jr.™ Header, Dual Row, Right Angle, with PCB Mounting Flange, 6 Circuits, PA Polyamide Nylon 6/6 94V-0, Tin (Sn) Plating

Documents:

[3D Model](#)

[Drawing \(PDF\)](#)

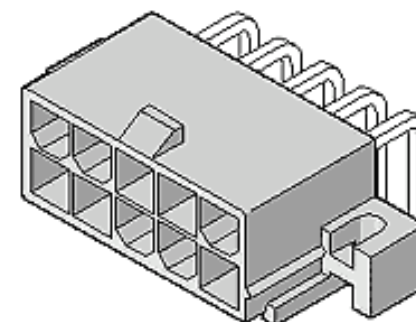
[RoHS Certificate of Compliance \(PDF\)](#)

General

| | |
|----------------|---------------------------------------|
| Product Family | PCB Headers |
| Series | 5569 |
| Application | Wire-to-Board |
| Comments | 11A max. with Mini-Fit HCS™ Terminals |
| Overview | Mini-Fit Jr.™ |
| Product Name | Mini-Fit Jr.™ |

Physical

| | |
|--------------------------------|-----------------|
| Breakaway | No |
| Circuits (Loaded) | 6 |
| Circuits (maximum) | 6 |
| Circuits Detail | 6 |
| Color - Resin | Natural |
| Durability (mating cycles max) | 30 |
| First Mate / Last Break | No |
| Flammability | 94V-0 |
| Flammability | 94V-2 |
| Glow-Wire Compliant | No |
| Guide to Mating Part | No |
| Keying to Mating Part | None |
| Lock to Mating Part | Yes |
| Material - Metal | Brass |
| Material - Plating Mating | Tin |
| Material - Plating Termination | Tin |
| Material - Resin | Nylon |
| Number of Rows | 2 |
| Orientation | Right Angle |
| PCB Locator | Yes |
| PCB Retention | Yes |
| PCB Thickness Recommended (in) | 0.070 In |
| PCB Thickness Recommended (mm) | 1.78 mm |
| Packaging Type | Bag |
| Pitch - Mating Interface (in) | 0.165 In |
| Pitch - Mating Interface (mm) | 4.20 mm |
| Pitch - Term. Interface (in) | 0.165 In |
| Pitch - Term. Interface (mm) | 4.20 mm |
| Plating min: Mating (µin) | 276 |
| Plating min: Mating (µm) | 7.00 |
| Plating min: Termination (µin) | 200 |
| Plating min: Termination (µm) | 5.00 |
| Polarized to Mating Part | Yes |
| Polarized to PCB | Yes |
| Shrouded | Fully |
| Stackable | No |
| Surface Mount Compatible (SMC) | No |
| Temperature Range - Operating | -40°C to +105°C |



Series image - Reference only

EU RoHS

**ELV and RoHS
Compliant**

REACH SVHC

Contains SVHC: No

Halogen-Free

Status

Not Reviewed

China RoHS



**Need more information on product
environmental compliance?**

Email productcompliance@molex.com
Please visit the [Contact Us](#) section for any
non-product compliance questions.

Search Parts in this Series

[5569 Series](#)

Mates With

[5557 Mini-Fit Jr.™ Receptacle Housing](#)

Termination Interface: Style Through Hole

Electrical

| | |
|-------------------|-----------|
| CSA | LR19980 |
| Current - Maximum | 8A |
| TUV | R72081037 |
| UL | E29179 |
| Voltage - Maximum | 600V |

Material Info

| | |
|-----------------|---------------|
| Old Part Number | 5569-06A1-210 |
|-----------------|---------------|

Reference - Drawing Numbers

| | |
|-----------------------|--------------|
| Product Specification | RPS-5557-009 |
| Product Specification | RPS-5557-024 |
| Product Specification | RPS-5557-031 |
| Product Specification | RPS-5557-036 |
| Product Specification | RPS-5557-039 |
| Product Specification | RPS-5557-050 |
| Product Specification | RPS-5557-053 |
| Sales Drawing | SD-5569-002 |

This document was generated on 11/25/2009

PLEASE CHECK WWW.MOLEX.COM FOR LATEST PART INFORMATION