

PLEASE CHECK WWW.MOLEX.COM FOR LATEST PART INFORMATION

Part Number: [0039301241](#)

Status: **Active**

Overview:

Description: 4.20mm (.165") Pitch Mini-Fit Jr.™ Header, Dual Row, Right Angle, with Snap-in Plastic Peg PCB Lock, 24 Circuits, PA Polyamide Nylon 6/6 94V-2, 0.76µm (30µ") Gold (Au) Plating

Documents:

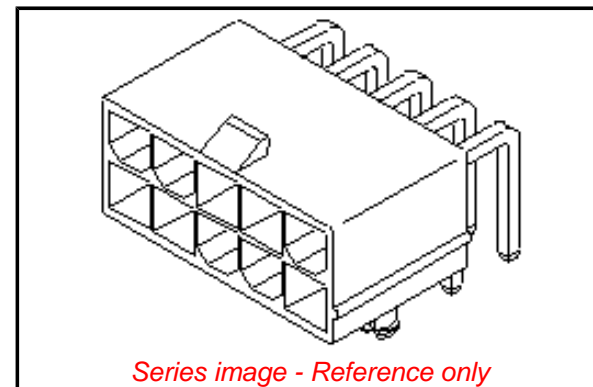
[3D Model](#)

[Packaging Specification \(PDF\)](#)

[Drawing \(PDF\)](#)

[Product Specification PS-5556-001 \(PDF\)](#)

[RoHS Certificate of Compliance \(PDF\)](#)



General

| | |
|----------------|---|
| Product Family | PCB Headers |
| Series | 5569 |
| Application | Wire-to-Board |
| Comments | See Molex Product specification PS-5556-001 for additional current de-rating information. |
| Overview | Mini-Fit Jr. & #153; |
| Product Name | Mini-Fit Jr.™ |

Physical

| | |
|--------------------------------|-------------|
| Breakaway | No |
| Circuits (Loaded) | 24 |
| Circuits (maximum) | 24 |
| Circuits Detail | 24 |
| Color - Resin | Natural |
| Durability (mating cycles max) | 30 |
| First Mate / Last Break | No |
| Flammability | 94V-2 |
| Glow-Wire Compliant | No |
| Guide to Mating Part | No |
| Keying to Mating Part | None |
| Lock to Mating Part | Yes |
| Material - Metal | Brass |
| Material - Plating Mating | Gold |
| Material - Plating Termination | Gold |
| Material - Resin | Nylon |
| Number of Rows | 2 |
| Orientation | Right Angle |
| PCB Locator | Yes |
| PCB Retention | Yes |
| PCB Thickness Recommended (in) | 0.070 In |
| PCB Thickness Recommended (mm) | 1.78 mm |
| Packaging Type | Bag |
| Pitch - Mating Interface (in) | 0.165 In |
| Pitch - Mating Interface (mm) | 4.20 mm |
| Pitch - Term. Interface (in) | 0.165 In |
| Pitch - Term. Interface (mm) | 4.20 mm |
| Plating min: Mating (µin) | 30.4 |
| Plating min: Mating (µm) | 0.76 |
| Plating min: Termination (µin) | 30.4 |
| Plating min: Termination (µm) | 0.76 |
| Polarized to Mating Part | Yes |
| Polarized to PCB | Yes |
| Shrouded | Fully |
| Stackable | No |

EU RoHS

ELV and RoHS Compliant
REACH SVHC Contains SVHC: No
Halogen-Free Status
Not Reviewed

China RoHS



Need more information on product environmental compliance?

Email productcompliance@molex.com
Please visit the [Contact Us](#) section for any non-product compliance questions.

Search Parts in this Series

[5569](#) Series

Mates With

[5557](#) Mini-Fit Jr.™ Receptacle Housing

| | |
|--------------------------------|-----------------|
| Surface Mount Compatible (SMC) | No |
| Temperature Range - Operating | -40°C to +105°C |
| Termination Interface: Style | Through Hole |

Electrical

| | |
|-------------------|-----------|
| CSA | LR19980 |
| Current - Maximum | 6A |
| TUV | R72081037 |
| UL | E29179 |
| Voltage - Maximum | 600V |

Solder Process Data

| | |
|--|------------------------|
| Duration at Max. Process Temperature (seconds) | 5 |
| Lead-free Process Capability | Wave Capable (TH only) |
| Max. Cycles at Max. Process Temperature | 1 |
| Process Temperature max. C | 240 |

Material Info

| | |
|-----------------|------------|
| Old Part Number | 5569-24A2G |
|-----------------|------------|

Reference - Drawing Numbers

| | |
|-----------------------|-----------------|
| Product Specification | PS-5556-001 |
| Sales Drawing | SDA-5569-NA2*-* |

This document was generated on 11/05/2009

PLEASE CHECK WWW.MOLEX.COM FOR LATEST PART INFORMATION