

PLEASE CHECK WWW.MOLEX.COM FOR LATEST PART INFORMATION

Part Number: [0039532084](#)
Status: **Active**
Description: 1.25mm (.049") Pitch FFC/FPC Connector, Through-Hole, Right Angle, ZIF, Top Contact Style, 8 Circuits, Lead-free

Documents:

[3D Model](#) [Product Specification PS-5597-004 \(PDF\)](#)
[Drawing \(PDF\)](#) [RoHS Certificate of Compliance \(PDF\)](#)

General

Product Family FFC/FPC Connectors
 Series [5597](#)
 Product Name N/A

Physical

Circuits (Loaded) 8
 Color - Resin Natural
 Contact Position Top
 Durability (mating cycles max) 30
 Entry Angle 90° Angle
 Flammability 94V-0
 Mated Height (in) 0.197 In
 Mated Height (mm) 5.00 mm
 Material - Metal Phosphor Bronze
 Material - Plating Mating Tin-Bismuth
 Material - Plating Termination Tin-Bismuth
 Material - Resin Polyester
 Number of Rows 1
 Orientation Right Angle
 PC Tail Length (in) 0.138 In
 PC Tail Length (mm) 3.50 mm
 PCB Locator No
 PCB Retention None
 Packaging Type Tray
 Pitch - Mating Interface (in) 0.049 In
 Pitch - Mating Interface (mm) 1.25 mm
 Plating min: Mating (µin) 40
 Plating min: Mating (µm) 1
 Plating min: Termination (µin) 40
 Plating min: Termination (µm) 1
 Polarized to PCB No
 Stackable No
 Surface Mount Compatible (SMC) No
 Temperature Range - Operating -20°C to +80°C
 Termination Interface: Style Through Hole
 Wire/Cable Type FFC/FPC

Electrical

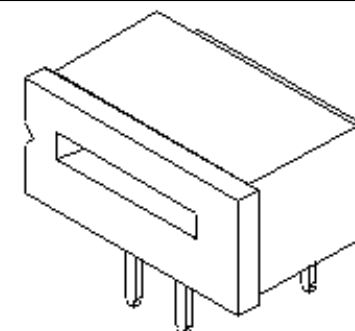
Current - Maximum 1A
 UL E29179
 Voltage - Maximum 200V

Material Info

Old Part Number 5597-08APB7F

Reference - Drawing Numbers

Product Specification PS-5597-004
 Product Specification RPS-5597-005



Series image - Reference only

EU RoHS

ELV and RoHS Compliant
REACH SVHC Contains SVHC: No
Halogen-Free Status
Not Reviewed

China RoHS



Need more information on product environmental compliance?

Email productcompliance@molex.com
 Please visit the [Contact Us](#) section for any non-product compliance questions.

Search Parts in this Series

[5597 Series](#)

Product Specification
Product Specification
Product Specification
Product Specification
Sales Drawing

RPS-5597-006
RPS-5597-013
RPS-5597-014
RPS-5597-015
SD-5597-011

This document was generated on 11/05/2009

PLEASE CHECK WWW.MOLEX.COM FOR LATEST PART INFORMATION