

[Molex.com](#)

English  
日本語  
한국어  
简体中文

[Register | Login](#)  
[My Parts \( 0 items \)](#)

- Product Name**
- Cross-Ref**
- Catalog**
- Literature**
- Industries**
- Standards**
- Contact Us**
- About Us**
- Investors**
- Careers**

Search site:Search:  [Go](#)

- [Connectors](#)
- [Sockets](#)
- [I/O Connectors](#)
- [Cable Assemblies](#)
- [Fiber Optics](#)
- [Printed Circuit Products](#)
- [Industrial Products](#)
- [Lighting Products](#)

**Switch Language**

- [Home](#)
- [Crimp Housings](#)
- [Datasheet](#)

**Need Assistance?**

- [Contact Us](#)
- [Find a Distributor](#)
- [Order Samples](#)
- [Tech Library](#)
- [Ecocare](#)
- [Electrical Models](#)

[Printer-friendly page](#)

[Email this page](#)

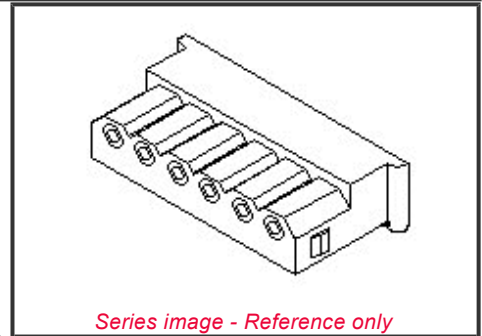
**Part Number:**  
**0050375053**

**Status:**  
**Active**

**Description:**  
2.50mm (.098") Pitch SPOX™ Wire-to-Board Crimp Housing, Friction Lock, 5 Circuits

**Documents:** [Note - Please disable browser pop-up blockers for documents on www.molex.com](#)  
[Drawing \(PDF\)](#) [Product Specification PS-5264-001 \(PDF\)](#)

[3D Model](#)



**EU RoHS**  
ELV and RoHS  
Compliant

**China RoHS**



**REACH SVHC**  
Contains SVHC: No

**Halogen-Free Status**  
Not Halogen-Free

**Need more information on product environmental compliance?**Email [productcompliance@molex.com](mailto:productcompliance@molex.com)For a multiple part number RoHS Certificate of Compliance, [click here](#)Please visit the [Contact Us](#) section for any non-product compliance questions.**Search Parts in this Series**[5264](#)Series**Mates With**[5267](#) vertical shrouded PCB header, [5268](#) right angle shrouded PCB header**Use With**[5263](#)**Order Products:****Part Detail:** ([show all](#))[General](#)[Physical](#)[Agency Certification](#)[Material Info](#)[Reference - Drawing Numbers](#)**General**

Product Family	Crimp Housings
Series	<a href="#">5264</a>
Product Name	SPOX™

**Physical**

Circuits (maximum)	5
Flammability	94V-0
Gender	Female
Glow-Wire Compliant	No
Number of Rows	1
Packaging Type	Bag
Panel Mount	No
Pitch - Mating Interface (in)	0.098 In
Pitch - Mating Interface (mm)	2.50 mm
Polarized to Mating Part	Yes
Stackable	No
Temperature Range - Operating	-40°C to +105°C

**Agency Certification**

CSA	LR37272
UL	E29179

**Material Info**

Old Part Number	5264-05
-----------------	---------

**Reference - Drawing Numbers**

Product Specification	PS-5264-001, RPS-5264-001, RPS-5264-002, RPS-5264-003, RPS-5264-004, RPS-5264-005, RPS-5264-006
Sales Drawing	SD-5264-N