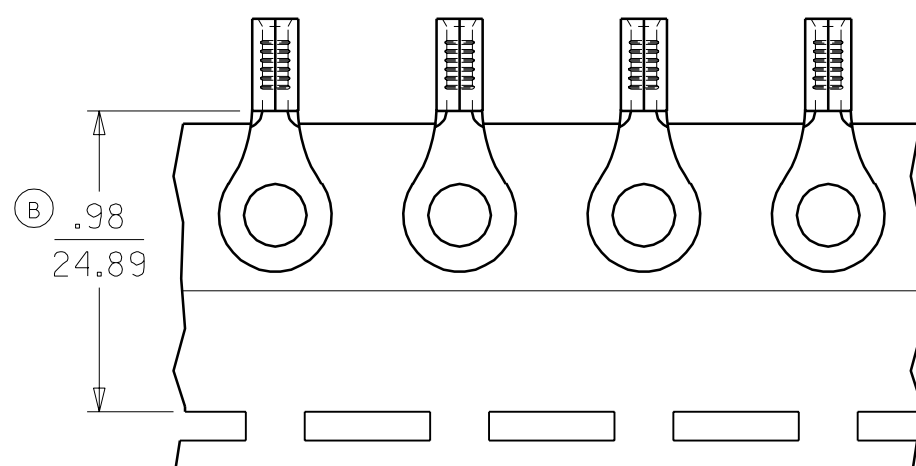
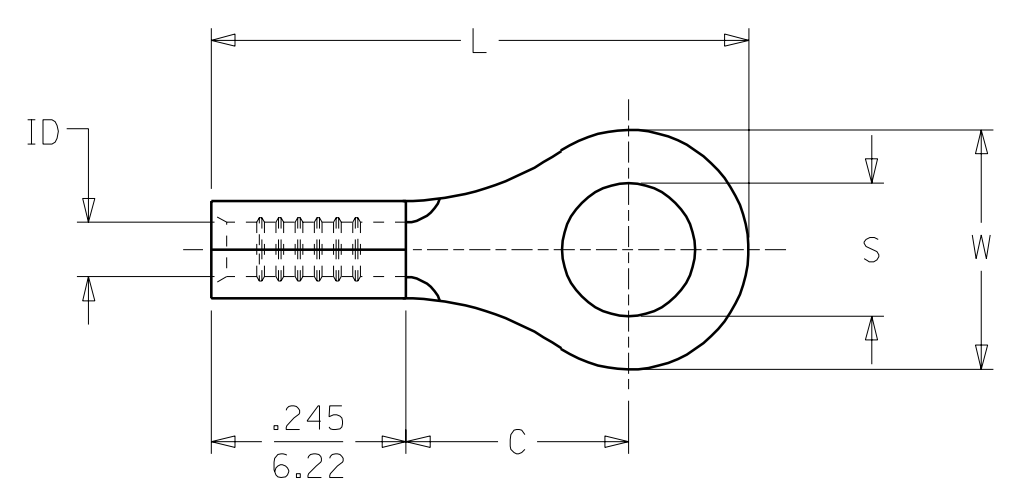


LOOSE PIECE		TAPE MOUNTED		SPECIFICATIONS							
MATERIAL NUMBER	ALTERNATE NUMBER	MATERIAL NUMBER	ALTERNATE NUMBER	STUD SIZE	"S" ±.005/(0.13)	"W" ±.010/(0.25)	"C" MIN.	"L" MAX.	"ID" MIN.	STOCK THICKNESS	
F	190440063	A-120-02	190440001	A-120-02T	2	.094/(2.39)	.225/(5.72)	.157/(3.99)	.563/(14.30)	.062/(1.57)	.028/(.71)
	190440064	A-120-04	190440065	A-120-04T	4	.119/(3.02)	.225/(5.72)	.157/(3.99)	.563/(14.30)	.062/(1.57)	.028/(.71)
	190440066	A-120-06	190440067	A-120-06T	6	.146/(3.71)	.225/(5.72)	.157/(3.99)	.563/(14.30)	.062/(1.57)	.028/(.71)
	190440068	A-121-06	190440003	A-121-06T	6	.146/(3.71)	.312/(7.92)	.270/(6.86)	.720/(18.29)	.062/(1.57)	.028/(.71)
	190440069	A-121-08	190440071	A-121-08T	8	.173/(4.39)	.312/(7.92)	.270/(6.86)	.720/(18.29)	.062/(1.57)	.028/(.71)
	190440072	A-121-10	190440073	A-121-10T	10	.198/(5.03)	.312/(7.92)	.270/(6.86)	.720/(18.29)	.062/(1.57)	.028/(.71)
	190440074	A-122-10	190440004	A-122-10T	10	.198/(5.03)	.467/(11.86)	.386/(9.80)	.914/(23.22)	.062/(1.57)	.028/(.71)
E	190440075	A-122-14	190440076	A-122-14T	1/4	.256/(6.50)	.467/(11.86)	.386/(9.80)	.914/(23.22)	.062/(1.57)	.028/(.71)
	190440077	A-122-56	190440005	A-122-56T	5/16	.328/(8.33)	.467/(11.86)	.386/(9.80)	.914/(23.22)	.062/(1.57)	.028/(.71)
	190440078	A-126-10	190440006	A-126-10T	10	.198/(5.03)	.534/(13.56)	.552/(14.02)	1.113/(28.27)	.054/(1.37)	.031/(.79)
	190440079	A-126-14	190440080	A-126-14T	1/4	.256/(6.50)	.534/(13.56)	.552/(14.02)	1.113/(28.27)	.054/(1.37)	.031/(.79)
	190440082	A-126-56	190440008	A-126-56T	5/16	.328/(8.33)	.534/(13.56)	.552/(14.02)	1.113/(28.27)	.054/(1.37)	.031/(.79)
	190440081	A-126-38	190440007	A-126-38T	3/8	.390/(9.91)	.534/(13.56)	.552/(14.02)	1.113/(28.27)	.054/(1.37)	.031/(.79)
	190440083	A-132-04	190440009	A-132-04T	4	.119/(3.02)	.256/(6.45)	.240/(6.10)	.661/(16.69)	.062/(1.57)	.028/(.71)
D	190440084	A-132-06	190440085	A-132-06T	6	.146/(3.71)	.256/(6.45)	.240/(6.10)	.661/(16.69)	.062/(1.57)	.028/(.71)
	190440086	A-132-08	190440087	A-132-08T	8	.146/(3.71)	.256/(6.45)	.240/(6.10)	.661/(16.69)	.062/(1.57)	.028/(.71)



PARTS ON TAPE
CUSTOMER DRAWING

C	RELEASE ERROR ETC2001-0234 00/12/01 EDB
B	.98 WAS.78 ETC2001-0209 2000/10/30 EDB
A	RELEASE NEW DWG. ETC2000-0068 1999/10/27 HEB
LTR.	REVISIONS

NOTES:
1. MATERIAL: COPPER.
2. PLATING: ELECTRO-TIN.
3. ALL DIMENSIONS IN INCHES/(MM).

DIMENSIONS SHOWN (METRIC) INCH		REVISE ONLY ON CAD SYSTEM																					
UNLESS OTHERWISE SPECIFIED TOLERANCES: ANGULAR ± 1/2°		TITLE RING TONGUE TERMINAL 22-18 AWG KRIMPTITE, 100-SERIES																					
<table border="1"> <thead> <tr> <th></th> <th>INCH</th> <th>METRIC</th> </tr> </thead> <tbody> <tr> <td>3 PLACE</td> <td>± .005</td> <td>± ---</td> </tr> <tr> <td>2 PLACE</td> <td>± .01</td> <td>± 0.13</td> </tr> <tr> <td>1 PLACE</td> <td>± ---</td> <td>± 0.25</td> </tr> </tbody> </table>			INCH	METRIC	3 PLACE	± .005	± ---	2 PLACE	± .01	± 0.13	1 PLACE	± ---	± 0.25	<table border="1"> <tr> <td colspan="2">molex ETC INC. PINELLAS PARK, FLA. 33781 U.S.A.</td> <td>SHEET NO. 1 OF 1</td> <td>DATE 99/10/27</td> </tr> <tr> <td colspan="2">PART NO. SEE TABLE</td> <td colspan="2">DRWG. NO. SD-19044-001</td> </tr> </table>		molex ETC INC. PINELLAS PARK, FLA. 33781 U.S.A.		SHEET NO. 1 OF 1	DATE 99/10/27	PART NO. SEE TABLE		DRWG. NO. SD-19044-001	
	INCH	METRIC																					
3 PLACE	± .005	± ---																					
2 PLACE	± .01	± 0.13																					
1 PLACE	± ---	± 0.25																					
molex ETC INC. PINELLAS PARK, FLA. 33781 U.S.A.		SHEET NO. 1 OF 1	DATE 99/10/27																				
PART NO. SEE TABLE		DRWG. NO. SD-19044-001																					
DRAFT WHERE APPLICABLE MUST REMAIN WITHIN DIMENSIONS		THIS DRAWING CONTAINS INFORMATION THAT IS PROPRIETARY TO MOLEX-ETC INC. AND SHOULD NOT BE USED WITHOUT WRITTEN PERMISSION.																					
DRWG. BY HEB	CHK'D. BY RWD	FILE NAME SD19044001 DGN	DIV. SIZE ET B																				
APP'D. BY RWD	SCALE 4: 1																						