

**PLEASE CHECK WWW.MOLEX.COM FOR LATEST PART INFORMATION**

**Part Number:** [34586-0001](#)  
**Status:** **Active**  
**Overview:** [MX123™ Sealed Connection System](#)  
**Description:** [MX123™ 0.64mm Grommet Seal Plug](#)

**Documents:**

[Drawing \(PDF\)](#) [RoHS Certificate of Compliance \(PDF\)](#)  
[Product Specification PS-34566-0000 \(PDF\)](#)

**General**

Product Family	Accessories
Series	<a href="#">34586</a>
Component Type	Voiding Key
Overview	<a href="#">MX123™ Sealed Connection System</a>
Product Name	MX123
UPC	822348345656

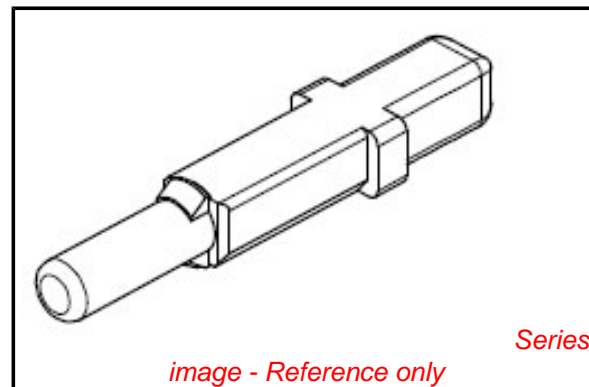
**Physical**

Circuits (Loaded)	1
Color - Resin	Gray
Lock to Mating Part	No
Material - Resin	Nylon Alloy
Net Weight	0.064/g
Packaging Type	Bag

**Material Info**

**Reference - Drawing Numbers**

Product Specification	PS-34566-0000
Sales Drawing	SD-34586-001



**EU RoHS**

**ELV and RoHS  
Compliant**  
**REACH SVHC  
Contains SVHC: No**  
**Low-Halogen Status  
Low-Halogen**

**China RoHS**



**Need more information on product  
environmental compliance?**

Email [productcompliance@molex.com](mailto:productcompliance@molex.com)  
For a multiple part number RoHS Certificate of  
Compliance, [click here](#)

Please visit the [Contact Us](#) section for any  
non-product compliance questions.

**Search Parts in this Series**

[34586Series](#)

**Use With**

MX123 Female Receptacle Housing [34566](#) ,  
[34576](#)