

PLEASE CHECK WWW.MOLEX.COM FOR LATEST PART INFORMATION

Part Number: [0351500210](#)

Status: **Active**

Overview:

Description: 6.20mm (.244") Pitch Wire-to-Wire VersaBlade™ Hybrid Plug Housing, with Mounting Ears, 2 Circuits, Polyester UL94V-0, Natural

Documents:

[3D Model](#)

[Drawing \(PDF\)](#)

[RoHS Certificate of Compliance \(PDF\)](#)

General

Product Family	Crimp Housings
Series	35150
Comments	Polarized to Mating Part, Positive Lock
Overview	VersaBlade™#153;
Product Name	VersaBlade™

Physical

Circuits (maximum)	2
Color - Resin	Natural
Flammability	94V-0
Gender	Male
Glow-Wire Compliant	No
Keying to Mating Part	None
Lock to Mating Part	Yes
Material - Resin	Polyester
Number of Rows	1
Packaging Type	Bag
Panel Mount	Yes
Pitch - Mating Interface (in)	0.244 In
Pitch - Mating Interface (mm)	6.20 mm
Polarized to Mating Part	Yes
Stackable	No
Temperature Range - Operating	-30°C to +105°C

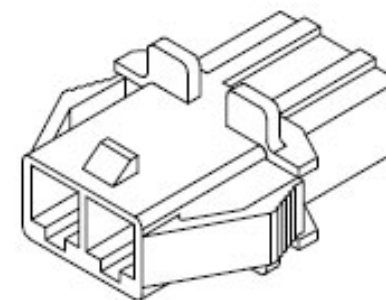
Electrical

CSA	LR19980
TUV	R72090206
UL	E29179

Material Info

Reference - Drawing Numbers

Sales Drawing	SD-35150-0210
---------------	---------------



Series image - Reference only

EU RoHS

**ELV and RoHS
Compliant**

REACH SVHC

**Contains SVHC: No
Halogen-Free
Status**

Not Halogen-Free

**Need more information on product
environmental compliance?**

Email productcompliance@molex.com
Please visit the [Contact Us](#) section for any
non-product compliance questions.

China RoHS



Search Parts in this Series

[35150 Series](#)

Mates With

[35151-021*](#) Receptacle Housing

Use With

[357450*10](#) VersaBlade™ Crimp Terminals