

PLEASE CHECK WWW.MOLEX.COM FOR LATEST PART INFORMATION

Part Number: **0357460210**
Status: **Active**
Overview:
Description: Crimp Terminal 35746, 16-18 AWG

Documents:

Drawing (PDF)	Product Specification PS-35182-003 (PDF)
Product Specification PS-35150-001 (PDF)	Product Specification PS-35524-001 (PDF)
Product Specification PS-35180-002 (PDF)	RoHS Certificate of Compliance (PDF)
Product Specification PS-35180-003 (PDF)	

General

Product Family	Crimp Terminals
Series	35746
Overview	VersaBlade™
Product Name	VersaBlade™

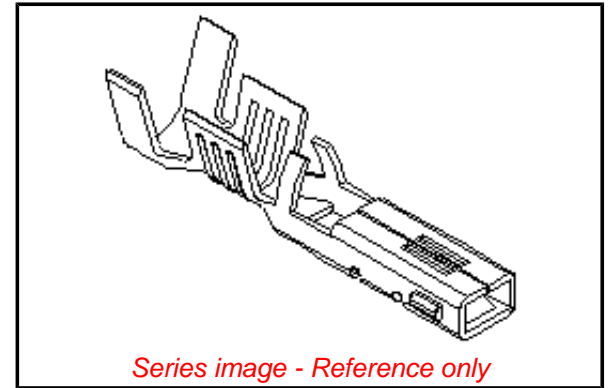
Physical

Gender	Female
Material - Metal	Phosphor Bronze
Material - Plating Mating	Tin
Material - Plating Termination	Tin
Packaging Type	Reel
Plating min: Mating (µin)	32.00
Plating min: Mating (µm)	0.800
Plating min: Termination (µin)	32.00
Plating min: Termination (µm)	0.80
Termination Interface: Style	Crimp or Compression
Wire Insulation Diameter	3.40mm (.134") max.
Wire Size AWG	16
Wire Size AWG	18
Wire Size mm²	N/A

Material Info

Reference - Drawing Numbers

Product Specification	PS-35150-001
Product Specification	PS-35180-002
Product Specification	PS-35180-003
Product Specification	PS-35182-003
Product Specification	PS-35524-001
Sales Drawing	SD-35746-001



EU RoHS

**ELV and RoHS
Compliant**
**REACH SVHC
Contains SVHC: No**
**Halogen-Free
Status**

China RoHS



**Need more information on product
environmental compliance?**

Email productcompliance@molex.com
Please visit the [Contact Us](#) section for any
non-product compliance questions.

Search Parts in this Series

35746 Series

Application Tooling | FAQ

*Tooling specifications and manuals are
found by selecting the products below.
Crimp Height Specifications are then
contained in the Application Tooling
Specification document.*

Global

Description	Product #
FineAdjust™ Applicator	0638629100
Hand Crimp Tool	0638190600
T2 Terminator Die	0638529100