

PLEASE CHECK WWW.MOLEX.COM FOR LATEST PART INFORMATION

Part Number: [0394220003](#)
Status: **Active**
Description: 12.00mm (.472") Pitch Beau™ EuroMax™ Horizontal Plug, with Retention Screws, 3 Circuits

Documents:

[Drawing \(PDF\)](#) [RoHS Certificate of Compliance \(PDF\)](#)

General

Product Family	Terminal Blocks
Series	39422
Application	Wire-to-Board
Component Type	Plug
Product Name	EuroMax™Pluggable
Type	Euro Block

Physical

Circuits (Loaded)	3
Color - Resin	Black
Entry Angle	180° Angle
Lock to Mating Part	Yes
Material - Metal	Brass
Material - Plating Mating	Tin
Material - Plating Termination	Tin
Material - Resin	Polyester
Number of Rows	1
Orientation	Horizontal
PCB Retention	N/A
Panel Mount	No
Pitch - Mating Interface (in)	0.472 In
Pitch - Mating Interface (mm)	12.00 mm
Plating min: Mating (µin)	150
Plating min: Mating (µm)	3.75
Plating min: Termination (µin)	150
Plating min: Termination (µm)	3.75
Polarized to Mating Part	Yes
Stackable	No
Temperature Range - Operating	130°C
Wire Size AWG	10
Wire Size AWG	12
Wire Size AWG	14
Wire Size AWG	3
Wire Size AWG	4
Wire Size AWG	6
Wire Size AWG	8

Electrical

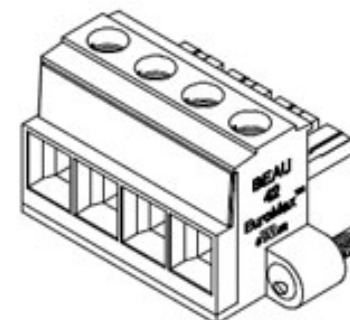
Current - Maximum	85A
Voltage - Maximum	600V

Material Info

Old Part Number	424503
-----------------	--------

Reference - Drawing Numbers

Sales Drawing	SD-39422-001
---------------	--------------



Series image - Reference only

EU RoHS

RoHS Compliant by Exemption

REACH SVHC

Not Reviewed

Halogen-Free

Status

Not Reviewed

Need more information on product environmental compliance?

Email productcompliance@molex.com
Please visit the [Contact Us](#) section for any non-product compliance questions.

China RoHS



Pb

Search Parts in this Series

[39422 Series](#)

Mates With

[39426-0003](#) Horizontal PCB Header, with Threaded Retention Inserts

This document was generated on 11/05/2009

PLEASE CHECK WWW.MOLEX.COM FOR LATEST PART INFORMATION