

Molex.com

English
日本語
한국어
简体中文

[Register](#) | [Login](#)
[My Parts \(0 items \)](#)

Search site: Search: [Go](#)

- Product Name**
- Cross-Ref**
- Catalog**
- Literature**
- Industries**
- Standards**
- Contact Us**
- About Us**
- Investors**
- Careers**

- [Connectors](#)
- [Sockets](#)
- [I/O Connectors](#)
- [Cable Assemblies](#)
- [Fiber Optics](#)
- [Printed Circuit Products](#)
- [Industrial Products](#)
- [Lighting Products](#)

Switch Language

English

- [Home](#)
- [Terminal Blocks](#)
- [Datasheet](#)

Need Assistance?

- [Contact Us](#)
- [Find a Distributor](#)
- [Order Samples](#)
- [Tech Library](#)
- [Ecocare](#)
- [Electrical Models](#)

[Printer-friendly page](#)

[Email this page](#)

Part Number:

0398900303

Status:

Active

Description:

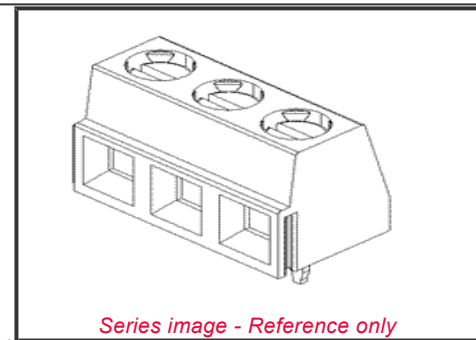
5.00mm (.197") Pitch Beau™ Eurostyle™ Low Profile, Single Level Modular Terminal Block, 3 Circuits

Documents: *Note - Please disable browser pop-up blockers for documents on www.molex.com*

[Drawing \(PDF\)](#)

[Product Literature \(PDF\)](#)

[3D Model](#)



EU RoHS
RoHS Compliant by Exemption

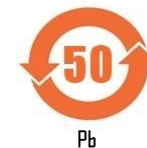
REACH SVHC
Not Reviewed

Halogen-Free Status
Not Reviewed

Need more information on product environmental compliance?

Email productcompliance@molex.com

China RoHS



For a multiple part number RoHS Certificate of Compliance, [click here](#)

Please visit the [Contact Us](#) section for any non-product compliance questions.

Search Parts in this Series

[39890](#)Series

Mates With

N/A

D

Order Products:

Part Detail: [\(show all\)](#)

[General](#)[Physical](#)[Electrical](#)[Agency Certification](#)[Material Info](#)[Reference - Drawing Numbers](#)

General

Product Family	Terminal Blocks
Series	39890
Application	Wire-to-Board
Component Type	One Piece
Product Literature Order No	USA-260
Product Name	Eurostyle™ Fixed Mount
Type	Euro Block

Physical

Circuits (Loaded)	3
Circuits (maximum)	3
Entry Angle	Horizontal
Flammability	94V-0
Lock to Mating Part	None
Number of Rows	1
Orientation	Vertical
PC Tail Length (in)	0.138 In
PC Tail Length (mm)	3.51 mm
PCB Retention	None
PCB Thickness Recommended (in)	0.093 In
PCB Thickness Recommended (mm)	2.40 mm
Panel Mount	No
Pitch - Mating Interface (in)	0.197 In
Pitch - Mating Interface (mm)	5.00 mm
Pitch - Term. Interface (in)	0.197 In
Pitch - Term. Interface (mm)	5.00 mm
Polarized to Mating Part	No
Shrouded	Fully
Stackable	Yes
Surface Mount Compatible (SMC)	No
Temperature Range - Operating	105°C
Wire Size AWG	16, 18, 20, 22, 24, 26, 28, 30
Wire Size mm ²	0.20 - 1.50

Electrical(Please review the Product Specification for specific details.)

Current - Maximum per Contact	13.5A
Voltage - Maximum	300V

Agency Certification

UL	E48521
----	--------

Material Info

Old Part Number	890103
-----------------	--------

Reference - Drawing Numbers

Sales Drawing	SD-39890-003
---------------	--------------

[Feedback](#)
[Privacy](#)
[Legal](#)
[Site Map](#)
[Help](#)

• Find us on

Copyright 2005-2010

