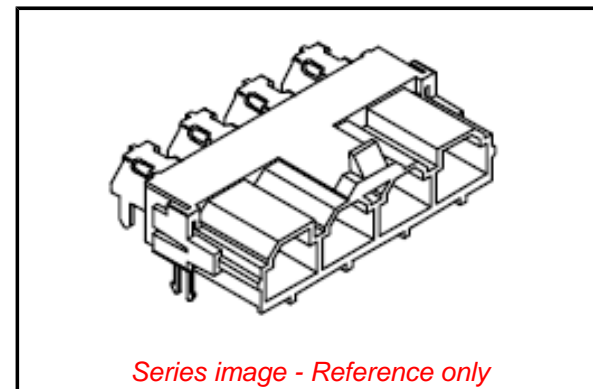


**PLEASE CHECK WWW.MOLEX.COM FOR LATEST PART INFORMATION**

**Part Number:** [0428203212](#)  
**Status:** **Active**  
**Description:** 10.00mm (.394") Pitch Mini-Fit Sr.™ Header, Single Row, Right Angle, 3 Circuits, 1.57mm (.062") PCB Thickness, Tin (Sn) Plating, Glow Wire Compatible

**Documents:**

<a href="#">Test Summary (PDF)</a>	<a href="#">Product Literature (PDF)</a>
<a href="#">Product Literature (PDF)</a>	<a href="#">Drawing (PDF)</a>
<a href="#">3D Model</a>	<a href="#">Product Specification PS-42815-001 (PDF)</a>
<a href="#">Packaging Specification (PDF)</a>	<a href="#">RoHS Certificate of Compliance (PDF)</a>



**General**

Product Family	PCB Headers
Series	<a href="#">42820</a>
Application	Wire-to-Board
Product Name	Mini-Fit Sr.™

**Physical**

Breakaway	No
Circuits (Loaded)	3
Circuits (maximum)	3
Color - Resin	Black
Durability (mating cycles max)	30
First Mate / Last Break	No
Flammability	94V-0
Glow-Wire Compliant	Yes
Guide to Mating Part	No
Keying to Mating Part	None
Lock to Mating Part	Yes
Material - Metal	Brass
Material - Plating Mating	Tin
Material - Plating Termination	Tin
Material - Resin	High Temperature Thermoplastic
Number of Rows	1
Orientation	Right Angle
PC Tail Length (in)	0.138 In
PC Tail Length (mm)	3.50 mm
PCB Locator	Yes
PCB Retention	Yes
PCB Thickness Recommended (in)	0.062 In
PCB Thickness Recommended (mm)	1.60 mm
Packaging Type	Tube
Pitch - Mating Interface (in)	0.394 In
Pitch - Mating Interface (mm)	10.00 mm
Plating min: Mating (µin)	100
Plating min: Mating (µm)	2.50
Plating min: Termination (µin)	100
Plating min: Termination (µm)	2.50
Polarized to Mating Part	Yes
Polarized to PCB	Yes
Shrouded	Fully
Stackable	No
Surface Mount Compatible (SMC)	No
Temperature Range - Operating	-40°C to +105°C
Termination Interface: Style	Through Hole

**Electrical**

**EU RoHS**

**ELV and RoHS Compliant**  
**REACH SVHC Contains SVHC: No**  
**Halogen-Free Status**

**China RoHS**



**Need more information on product environmental compliance?**

Email [productcompliance@molex.com](mailto:productcompliance@molex.com)  
Please visit the [Contact Us](#) section for any non-product compliance questions.

**Search Parts in this Series**

[42820](#) Series

**Mates With**

[42816](#) Receptacle with TPA

CSA	LR19980
Current - Maximum	45A
TUV	R72081037
UL	E29179
Voltage - Maximum	600V

**Solder Process Data**

Duration at Max. Process Temperature (seconds)	3
Lead-free Process Capability	Wave Capable (TH only)
Max. Cycles at Max. Process Temperature	1
Process Temperature max. C	265

**Material Info****Reference - Drawing Numbers**

Product Specification	PS-42815-001
Product Specification	RPS-42815-001
Product Specification	RPS-42815-011
Product Specification	RPS-42815-012
Product Specification	RPS-42815-013
Product Specification	RPS-42815-014
Product Specification	RPS-42815-015
Sales Drawing	SDA-42820-0002

This document was generated on 11/05/2009

**PLEASE CHECK [WWW.MOLEX.COM](http://WWW.MOLEX.COM) FOR LATEST PART INFORMATION**