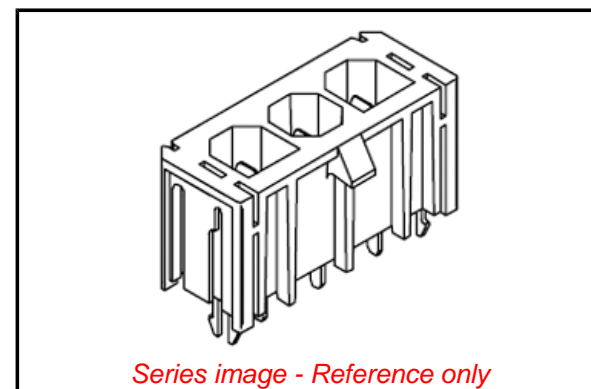


**PLEASE CHECK WWW.MOLEX.COM FOR LATEST PART INFORMATION**

**Part Number:** [0431605303](#)  
**Status:** **Active**  
**Description:** 7.50mm (.295") Pitch Sabre™ Header, Single Row, Right Angle, 3 Circuits, PC Tail Length 5.33mm (.210"), with Snap-In Metal Pins, Tin (Sn) Plating, 46 Nylon 94V-0, Black, Glow Wire Compatible

**Documents:**

<a href="#">Drawing (PDF)</a>	<a href="#">3D Model</a>
<a href="#">Product Literature (PDF)</a>	<a href="#">Product Specification PSX-44441-9999 (PDF)</a>
<a href="#">Packaging Specification (PDF)</a>	<a href="#">RoHS Certificate of Compliance (PDF)</a>



**General**

Product Family	PCB Headers
Series	43160
Application	Wire-to-Board
Comments	Fully Polarized
Product Name	Sabre™

**Physical**

Breakaway	No
Circuits (Loaded)	3
Circuits (maximum)	3
Color - Resin	Black
Durability (mating cycles max)	25
First Mate / Last Break	No
Flammability	94V-0
Glow-Wire Compliant	Yes
Guide to Mating Part	No
Keying to Mating Part	None
Lock to Mating Part	Yes
Material - Metal	Brass
Material - Plating Mating	Tin
Material - Plating Termination	Tin
Material - Resin	High Temperature Thermoplastic
Number of Rows	1
Orientation	Right Angle
PC Tail Length (in)	0.210 In
PC Tail Length (mm)	5.33 mm
PCB Locator	Yes
PCB Retention	Yes
PCB Thickness Recommended (in)	0.093 In
PCB Thickness Recommended (mm)	2.40 mm
Packaging Type	Tray
Pitch - Mating Interface (in)	0.295 In
Pitch - Mating Interface (mm)	7.50 mm
Plating min: Mating (µin)	80
Plating min: Mating (µm)	2
Plating min: Termination (µin)	80
Plating min: Termination (µm)	2
Polarized to Mating Part	Yes
Polarized to PCB	Yes
Shrouded	Fully
Stackable	No
Surface Mount Compatible (SMC)	No
Temperature Range - Operating	-40°C to +75°C
Termination Interface: Style	Through Hole

**EU RoHS**

**ELV and RoHS Compliant**

**REACH SVHC**

**Contains SVHC: No**

**Halogen-Free**

**Status**

**Not Halogen-Free**

**Need more information on product environmental compliance?**

Email [productcompliance@molex.com](mailto:productcompliance@molex.com)  
Please visit the [Contact Us](#) section for any non-product compliance questions.

**China RoHS**



**Search Parts in this Series**

[43160 Series](#)

**Mates With**

[44441-2003](#)

**Electrical**

CSA	LR19980
Current - Maximum	18A
UL	E29179
Voltage - Maximum	600V

**Solder Process Data**

Duration at Max. Process Temperature (seconds)	5
Lead-free Process Capability	Wave Capable (TH only)
Max. Cycles at Max. Process Temperature	1
Process Temperature max. C	260

**Material Info****Reference - Drawing Numbers**

Product Specification	PSX-44441-9999
Sales Drawing	SDA-43160-****

This document was generated on 11/05/2009

**PLEASE CHECK [WWW.MOLEX.COM](http://WWW.MOLEX.COM) FOR LATEST PART INFORMATION**