

**PLEASE CHECK WWW.MOLEX.COM FOR LATEST PART INFORMATION**

**Part Number:** [0432026101](#)  
**Status:** **Active**  
**Overview:**  
**Description:** Modular Jack, Right Angle, Low Profile, 6/6

**Documents:**

[3D Model](#) [Product Specification PS-43202-001 \(PDF\)](#)  
[Drawing \(PDF\)](#) [RoHS Certificate of Compliance \(PDF\)](#)  
[Packaging Specification \(PDF\)](#)

**General**

Product Family	Modular Jacks/Plugs
Series	<a href="#">43202</a>
Comments	Enhanced panel grounding tabs
Component Type	PCB Jack
Overview	RJ-11
Performance Category	3
Performance Category	4
Power over Ethernet (PoE)	N/A
Product Name	RJ11

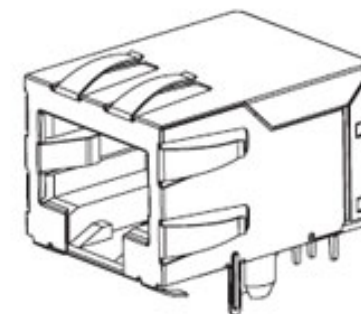
**Physical**

Color - Resin	Black
Durability (mating cycles max)	500
Flammability	94V-0
Inverted / Top Latch	No
Lightpipes/LEDs	None
Material - Metal	Phosphor Bronze
Material - Plating Mating	Gold
Material - Plating Termination	Tin
Material - Resin	High Temperature Thermoplastic
Orientation	Right Angle (Side Entry)
PCB Retention	Yes
PCB Thickness Recommended (in)	0.062 In
PCB Thickness Recommended (mm)	1.60 mm
Packaging Type	Tray
Pitch - Mating Interface (in)	0.050 In
Pitch - Mating Interface (mm)	1.27 mm
Plating min: Mating (µin)	50
Plating min: Mating (µm)	1.25
Plating min: Termination (µin)	100
Plating min: Termination (µm)	2.5
Ports	1
Positions / Loaded Contacts	6/6
Surface Mount Compatible (SMC)	Yes
Temperature Range - Operating	-40°C to +85°C
Termination Interface: Style	Through Hole
Wire/Cable Type	N/A

**Electrical**

CSA	LR19980
Current - Maximum	1.5A
Shielded	No
UL	E107635
Voltage - Maximum	125V

**Solder Process Data**



Series image - Reference only

**EU RoHS**

**ELV and RoHS  
Compliant**  
**REACH SVHC  
Contains SVHC: No**  
**Halogen-Free  
Status**

**China RoHS**



**Need more information on product  
environmental compliance?**

Email [productcompliance@molex.com](mailto:productcompliance@molex.com)  
Please visit the [Contact Us](#) section for any non-product compliance questions.

**Search Parts in this Series**

[43202 Series](#)

**Mates With**

FCC 68 Plugs

Duration at Max. Process Temperature (seconds)	5
Lead-free Process Capability	Wave Capable (TH only)
Max. Cycles at Max. Process Temperature	1
Process Temperature max. C	260

**Material Info**

**Reference - Drawing Numbers**

Product Specification	PS-43202-001
Product Specification	RPS-43202-002
Sales Drawing	SDA-43202

This document was generated on 11/04/2009

**PLEASE CHECK [WWW.MOLEX.COM](http://WWW.MOLEX.COM) FOR LATEST PART INFORMATION**