

PLEASE CHECK WWW.MOLEX.COM FOR LATEST PART INFORMATION

Part Number: [0432550091](#)

Status: **Active**

Overview:

Description: 6.35mm (.250") Pitch MLX™ Power Connector Header, Vertical, with Plastic Polarizing Peg, 9 Circuits, Polyester 94V-0, Tin (Sn) Plating, White

Documents:

[3D Model](#)

[Drawing \(PDF\)](#)

[Product Specification PSX-42002-0001 \(PDF\)](#)

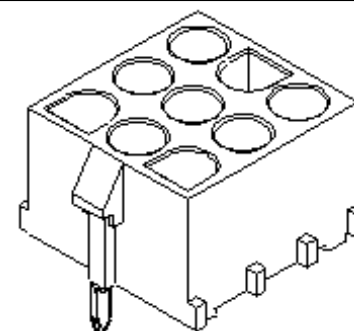
[RoHS Certificate of Compliance \(PDF\)](#)

General

Product Family	PCB Headers
Series	43255
Application	Wire-to-Board
Comments	High Vibration Application
Overview	MLX
Product Name	MLX™

Physical

Breakaway	No
Circuits (Loaded)	9
Circuits (maximum)	9
Color - Resin	Natural
Durability (mating cycles max)	50
First Mate / Last Break	No
Flammability	94V-2
Glow-Wire Compliant	No
Guide to Mating Part	Yes
Keying to Mating Part	Yes
Lock to Mating Part	Yes
Mated Height (in)	1.195 In
Mated Height (mm)	30.35 mm
Material - Metal	Phosphor Bronze
Material - Plating Mating	Tin
Material - Plating Termination	Tin
Material - Resin	Polyester
Number of Rows	3
Orientation	Vertical
PC Tail Length (in)	0.169 In
PC Tail Length (mm)	4.30 mm
PCB Locator	Yes
PCB Retention	Yes
PCB Thickness Recommended (in)	0.062 In
PCB Thickness Recommended (mm)	1.60 mm
Packaging Type	Bag
Pitch - Mating Interface (in)	0.250 In
Pitch - Mating Interface (mm)	6.35 mm
Pitch - Term. Interface (in)	0.250 In
Pitch - Term. Interface (mm)	6.35 mm
Plating min: Mating (µin)	140
Plating min: Mating (µm)	3.5
Polarized to Mating Part	Yes
Polarized to PCB	Yes
Shrouded	Fully
Stackable	No
Surface Mount Compatible (SMC)	No
Temperature Range - Operating	-55°C to +105°C



Series image - Reference only

EU RoHS

**ELV and RoHS
Compliant**

REACH SVHC

Contains SVHC: No

Halogen-Free

Status

Not Reviewed

China RoHS



**Need more information on product
environmental compliance?**

Email productcompliance@molex.com
Please visit the [Contact Us](#) section for any
non-product compliance questions.

Duration at Max. 10
Process Temperature
(seconds)

Lead-free Process Wave Capable (TH
Capability only)
Process Temperature 260
max. C

Search Parts in this Series

[43255 Series](#)

Mates With

[42021 MLX™ Power Crimp Housing Plug.](#)
[42024 MLX Crimp Terminal](#)

Termination Interface: Style

Through Hole

Electrical

CSA

LR19980

Current - Maximum

9A

UL

E29179

Voltage - Maximum

600V

Material Info

Reference - Drawing Numbers

Product Specification

PSX-42002-0001

Sales Drawing

SDA-43255-00**

This document was generated on 11/05/2009

PLEASE CHECK WWW.MOLEX.COM FOR LATEST PART INFORMATION