

**PLEASE CHECK WWW.MOLEX.COM FOR LATEST PART INFORMATION**

**Part Number:** [0438100066](#)  
**Status:** **Active**  
**Description:** 4.20mm (.165") Pitch Mini-Fit SMC™ Surface Mount Compatible Header, Dual Row, Right Angle, for 2.39mm (.094") PCB, 24 Circuits, Gold (Au) Plating, with Solderable Retention Clip

**Documents:**

[3D Model](#) [Product Specification PS-43810-001 \(PDF\)](#)  
[Drawing \(PDF\)](#) [RoHS Certificate of Compliance \(PDF\)](#)

**General**

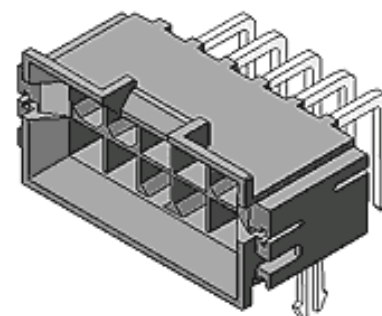
Product Family	PCB Headers
Series	43810
Application	Board-to-Board
Application	Wire-to-Board
Comments	9A max. with Mini-Fit HCS™ Terminals
Product Name	Mini-Fit SMC™

**Physical**

Breakaway	No
Circuits (Loaded)	24
Circuits (maximum)	24
Color - Resin	Black
Durability (mating cycles max)	30
Flammability	94V-0
Glow-Wire Compliant	No
Material - Metal	Brass
Material - Plating Mating	Gold
Material - Plating Termination	Gold
Material - Resin	High Temperature Thermoplastic
Number of Rows	2
Orientation	Right Angle
PC Tail Length (in)	0.142 In
PC Tail Length (mm)	3.60 mm
PCB Locator	Yes
PCB Retention	Yes
PCB Thickness Recommended (in)	0.093 In
PCB Thickness Recommended (mm)	2.40 mm
Packaging Type	Tray
Pitch - Mating Interface (in)	0.165 In
Pitch - Mating Interface (mm)	4.20 mm
Plating min: Mating (µin)	30
Plating min: Mating (µm)	0.76
Plating min: Termination (µin)	30
Plating min: Termination (µm)	0.76
Polarized to PCB	Yes
Shrouded	Partial
Stackable	No
Surface Mount Compatible (SMC)	Yes
Temperature Range - Operating	-40°C to +105°C
Termination Interface: Style	Through Hole

**Electrical**

CSA	LR19980
Current - Maximum	6A
UL	E29179
Voltage - Maximum	600V



Series image - Reference only

**EU RoHS**

**ELV and RoHS  
Compliant**

**REACH SVHC  
Contains SVHC: No  
Halogen-Free  
Status**

**Not Reviewed**

**China RoHS**



**Need more information on product  
environmental compliance?**

Email [productcompliance@molex.com](mailto:productcompliance@molex.com)  
Please visit the [Contact Us](#) section for any non-product compliance questions.

Duration at Max.	5
Process Temperature (seconds)	
Lead-free Process Capability	SMC & Wave Capable (TH only)
Max. Cycles at Max.	1
Process Temperature	
Process Temperature max. C	235

**Search Parts in this Series**

[43810 Series](#)

**Mates With**

[42385](#) , [42474](#) , [44475](#) , [44516](#) , [5557d](#)

**Material Info**

**Reference - Drawing Numbers**

Product Specification

Sales Drawing

PS-43810-001

SD-43810-031

This document was generated on 11/05/2009

**PLEASE CHECK [WWW.MOLEX.COM](http://WWW.MOLEX.COM) FOR LATEST PART INFORMATION**