

PLEASE CHECK WWW.MOLEX.COM FOR LATEST PART INFORMATION

Part Number: [0511120610](#)
Status: **Active**
Description: 2.50mm (.098") Pitch Wire-to-Wire Plug Housing, With Optional Panel Mount, 6 Circuits

Documents:

[3D Model](#) [Product Specification PS-51111-001 \(PDF\)](#)
[Drawing \(PDF\)](#) [RoHS Certificate of Compliance \(PDF\)](#)

General

Product Family Crimp Housings
 Series [51112](#)
 Product Name N/A

Physical

Circuits (maximum) 6
 Color - Resin Natural
 Flammability 94V-0
 Gender Male
 Glow-Wire Compliant No
 Material - Resin Polyester
 Number of Rows 1
 Packaging Type Bag
 Panel Mount No
 Pitch - Mating Interface (in) 0.098 In
 Pitch - Mating Interface (mm) 2.50 mm
 Stackable No
 Temperature Range - Operating -40°C to +105°C

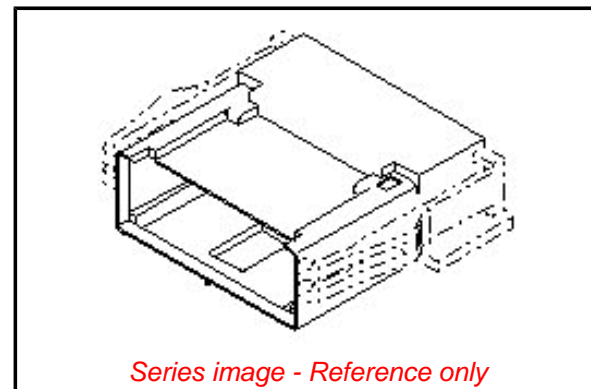
Electrical

CSA LR19980
 UL E29179

Material Info

Reference - Drawing Numbers

Product Specification PS-51111-001
 Sales Drawing SD-51112-**10



EU RoHS

**ELV and RoHS
 Compliant**
**REACH SVHC
 Contains SVHC: Not
 Reviewed**
**Halogen-Free
 Status
 Not Reviewed**

China RoHS



**Need more information on product
 environmental compliance?**

Email productcompliance@molex.com
 Please visit the [Contact Us](#) section for any
 non-product compliance questions.

Search Parts in this Series

[51112 Series](#)

Mates With

[51111](#) , [51111wr](#)

Use With

[50398](#)

PLEASE CHECK WWW.MOLEX.COM FOR LATEST PART INFORMATION