

PLEASE CHECK WWW.MOLEX.COM FOR LATEST PART INFORMATION

Part Number: [0521170411](#)
Status: **Active**
Overview: Mizu-P25™ Miniature Waterproof Connectors
Description: Mizu-P25™ 2.50mm Pitch Waterproof Wire-to-Wire Receptacle Housing, 4 Circuits

Documents:

[3D Model](#) [Product Specification PS-52117-008 \(PDF\)](#)
[Drawing \(PDF\)](#) [RoHS Certificate of Compliance \(PDF\)](#)

Agency Certification

UL E29179

General

Product Family Crimp Housings
 Series [52117](#)
 Application Signal, Wire-to-Wire
 Application Tooling Part Link [62202-4400](#)
 Overview [Mizu-P25™ Miniature Waterproof Connectors](#)
 Product Name Mizu-P25™ Waterproof, Splash Proof
 UPC 800754368735

Physical

Circuits (maximum) 4
 Color - Resin Black
 Gender Receptacle
 Glow-Wire Compliant No
 Lock to Mating Part Yes
 Material - Resin Polyester
 Net Weight 1020.000/mg
 Number of Rows 1
 Packaging Type Tray
 Panel Mount No
 Pitch - Mating Interface 2.50mm
 Stackable No
 Temperature Range - Operating -40°C to +105°C

Electrical

Current - Maximum per Contact 3.0A

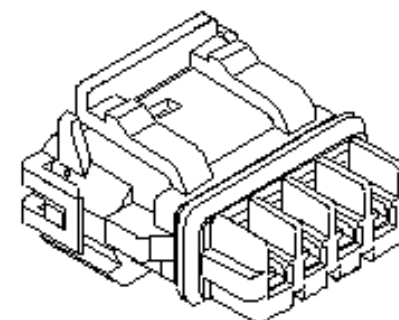
Solder Process Data

Lead-free Process Capability N/A

Material Info

Reference - Drawing Numbers

Product Specification PS-52117-008
 Sales Drawing SD-52117-002



Series image - Reference only

EU ELV

Compliant

EU RoHS

Compliant

REACH SVHC

Contains SVHC(2014 December 17): No

Halogen-Free

Status

Not Low-Halogen

Need more information on product environmental compliance?

Email productcompliance@molex.com
 Please visit the [Contact Us](#) section for any non-product compliance questions.

China ROHS

ELV

Not Reviewed

Compliant

Search Parts in this Series

[52117 Series](#)

Mates With

[52116 Mizu-P25™ 2.50mm Pitch Waterproof Wire-to-Wire Plug Housing](#)

Use With

[50039 Mizu-P25™ Crimp Terminal](#)

Application Tooling | FAQ

Tooling specifications and manuals are found by selecting the products below. Crimp Height Specifications are then contained in the Application Tooling Specification document.

Global

Description

Product #

Sealing Cap Hand Tool [0622024400](#)

This document was generated on 08/19/2015

PLEASE CHECK WWW.MOLEX.COM FOR LATEST PART INFORMATION