

[Molex.com](#)

English  
日本語  
한국어  
简体中文

[Register](#) | [Login](#)  
[My Parts](#) ( 0 items )

Search site: Search:  [Go](#)

- Product Name**
- Cross-Ref**
- Catalog**
- Literature**
- Industries**
- Standards**
- Contact Us**
- About Us**
- Investors**
- Careers**

- [Connectors](#)
- [Sockets](#)
- [I/O Connectors](#)
- [Cable Assemblies](#)
- [Fiber Optics](#)
- [Printed Circuit Products](#)
- [Industrial Products](#)
- [Lighting Products](#)

**Switch Language**

- [Home](#)
- [FFC/FPC Connectors](#)
- [Datasheet](#)

**Need Assistance?**

- [Contact Us](#)
- [Find a Distributor](#)
- [Order Samples](#)
- [Tech Library](#)
- [Ecocare](#)
- [Electrical Models](#)

[Printer-friendly page](#)

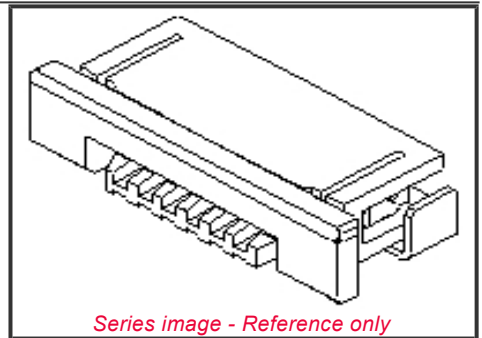
[Email this page](#)

**Part Number:**  
**0522711879**

**Status:**  
**Active**

**Description:**  
1.00mm (.039") Pitch FFC/FPC Connector, Right Angle, SMT, ZIF, Bottom Contact Style, 18 Circuits, Lead-free, High Barrier Packaging

**Documents:** [Note - Please disable browser pop-up blockers for documents on www.molex.com](#)  
[Drawing \(PDF\)](#) [Product Specification PS-52271-053 \(PDF\)](#)



Series image - Reference only

[3D Model](#)

**EU RoHS**  
ELV and RoHS  
Compliant

**REACH SVHC**  
Contains SVHC: No

**Halogen-Free**  
Status  
Not Halogen-Free

**China RoHS**



**Need more information on product environmental compliance?**

Email [productcompliance@molex.com](mailto:productcompliance@molex.com)

For a multiple part number RoHS Certificate of Compliance, [click here](#)

Please visit the [Contact Us](#) section for any non-product compliance questions.

**Search Parts in this Series**

[52271Series](#)

**Order Products:**

**Part Detail:** ([show all](#))

[General](#)[Physical](#)[Electrical](#)[Agency Certification](#)[Material Info](#)[Reference - Drawing Numbers](#)

**General**

Product Family	FFC/FPC Connectors
Series	<a href="#">52271</a>
Product Name	N/A

**Physical**

Circuits (Loaded)	18
Color - Resin	Natural
Contact Position	Bottom
Durability (mating cycles max)	30
Entry Angle	90° Angle
Flammability	94V-0
Mated Height (in)	0.118 In
Mated Height (mm)	3.00 mm
Material - Metal	Phosphor Bronze
Material - Plating Mating	Tin-Bismuth
Material - Plating Termination	Tin-Bismuth
Material - Resin	Nylon
Number of Rows	1
Orientation	Right Angle
PCB Locator	No
PCB Retention	Yes
Packaging Type	Embossed Tape on Reel
Pitch - Mating Interface (in)	0.039 In
Pitch - Mating Interface (mm)	1.00 mm
Polarized to PCB	Yes
Stackable	No
Temperature Range - Operating	-40°C to +85°C
Termination Interface: Style	Surface Mount
Wire/Cable Type	FFC/FPC

**Electrical**(Please review the Product Specification for specific details.)

Current - Maximum per Contact	0.5A
Voltage - Maximum	50V AC (RMS)/DC

**Agency Certification**

CSA	LR19980
UL	E29179

**Material Info****Reference - Drawing Numbers**

Product Specification	PS-52271-053, RPS-52271-066, RPS-52271-067, RPS-52271-069, RPS-52271-070, RPS-52271-072, RPS-52271-073, RPS-52271-075, RPS-52271-080, RPS-52271-085, RPS-52271-087, RPS-52271-091
Sales Drawing	SD-52271-036, SD-52271-037

---

[Feedback](#)  
[Privacy](#)  
[Legal](#)  
[Site Map](#)  
[Help](#)

• [Find us on](#)  
•      
Copyright 2005-2010