

[Molex.com](#)

English
日本語
한국어
简体中文

[Register | Login](#)
[My Parts \(0 items \)](#)

Search site:Search: [Go](#)

- Product Name**
- Cross-Ref**
- Catalog**
- Literature**
- Industries**
- Standards**
- Contact Us**
- About Us**
- Investors**
- Careers**

- [Connectors](#)
- [Sockets](#)
- [I/O Connectors](#)
- [Cable Assemblies](#)
- [Fiber Optics](#)
- [Printed Circuit Products](#)
- [Industrial Products](#)
- [Lighting Products](#)

Switch Language

- [Home](#)
- [PCB Receptacles](#)
- [Datasheet](#)

Need Assistance?

- [Contact Us](#)
- [Find a Distributor](#)
- [Order Samples](#)
- [Tech Library](#)
- [Ecocare](#)
- [Electrical Models](#)

[Printer-friendly page](#)

[Email this page](#)

Part Number:

0529910408

Status:

Active

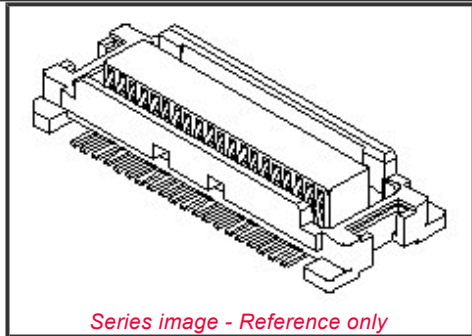
Description:

0.50mm (.020") Pitch SlimStack™ Receptacle, Surface Mount, Dual Row, Vertical, 3.00 and 4.00mm (.118 and .157") Stacking Heights, Lower Circuit Size Version, White, 40 Circuits

Documents: *Note - Please disable browser pop-up blockers for documents on www.molex.com*

[Drawing \(PDF\)](#)

[Product Specification PS-52991-003 \(PDF\)](#)



EU RoHS
ELV and RoHS
Compliant

REACH SVHC
Not Reviewed

Halogen-Free Status
Not Reviewed

China RoHS



Need more information on product environmental compliance?

Email productcompliance@molex.com

For a multiple part number RoHS Certificate of Compliance, [click here](#)

Please visit the [Contact Us](#) section for any non-product compliance questions.

Search Parts in this Series

[52991Series](#)

Mates With

[53916](#), [53748](#)

[Product Specification PS-52991-008 \(PDF\)](#)

Order Products:

Part Detail: [\(show all\)](#)

[General](#)[Physical](#)[Electrical](#)[Material Info](#)[Reference - Drawing Numbers](#)

General

Product Family	PCB Receptacles
Series	52991
Application	Board-to-Board
Product Name	SlimStack™

Physical

Circuits (Loaded)	40
Glow-Wire Compliant	No
Mated Height (in)	0.118 In, 0.157 In
Mated Height (mm)	3.00 mm, 4.00 mm
Material - Plating Mating	Gold
Material - Plating Termination	Gold
Number of Rows	2
Orientation	Vertical
PCB Locator	No
PCB Retention	None
Packaging Type	Embossed Tape on Reel
Pitch - Mating Interface (in)	0.020 In
Pitch - Mating Interface (mm)	0.50 mm
Plating min: Mating (µin)	4
Plating min: Mating (µm)	0.1
Plating min: Termination (µin)	10
Plating min: Termination (µm)	0.25
Polarized to PCB	No
Surface Mount Compatible (SMC)	N/A
Temperature Range - Operating	-40°C to +105°C
Termination Interface: Style	Surface Mount

Electrical(Please review the Product Specification for specific details.)

Current - Maximum per Contact	0.5A
Voltage - Maximum	50V

Material Info**Reference - Drawing Numbers**

Product Specification	PS-52991-003, PS-52991-008, PS-54167-002, RPS-52991-012, RPS-52991-013, RPS-52991-016, RPS-52991-017, RPS-52991-019
Sales Drawing	SD-52991-004, SD-52991-005

[Help](#)