

PLEASE CHECK WWW.MOLEX.COM FOR LATEST PART INFORMATION

Part Number: [0530480210](#)
Status: **Active**
Overview: [PicoBlade™ Connector System](#)
Description: 1.25mm Pitch PicoBlade™ Header, Right Angle, 2 Circuits

Documents:

[3D Model](#) [Packaging Specification SPK-53048-001 \(PDF\)](#)
[Drawing \(PDF\)](#) [RoHS Certificate of Compliance \(PDF\)](#)
[Product Specification PS-51021-010 \(PDF\)](#)

Agency Certification

UL E29179

General

Product Family PCB Headers
 Series [53048](#)
 Application Signal, Wire-to-Board
 Current Derating Order No 987651-3691
 Overview [PicoBlade™ Connector System](#)
 Product Name PicoBlade™
 UPC 800753750197

Physical

Breakaway No
 Circuits (Loaded) 2
 Circuits (maximum) 2
 Color - Resin Natural
 First Mate / Last Break No
 Glow-Wire Compliant No
 Guide to Mating Part No
 Keying to Mating Part None
 Lock to Mating Part Yes
 Mated Height 3.50mm
 Material - Plating Mating Tin
 Material - Resin Nylon
 Net Weight 72.000/mg
 Number of Rows 1
 Orientation Right Angle
 PC Tail Length 2.30mm
 PCB Locator No
 PCB Retention None
 PCB Thickness - Recommended 0.80mm
 Packaging Type Tray
 Pitch - Mating Interface 1.25mm
 Polarized to PCB No
 Shrouded Fully
 Stackable No
 Temperature Range - Operating -40°C to +85°C
 Termination Interface: Style Through Hole

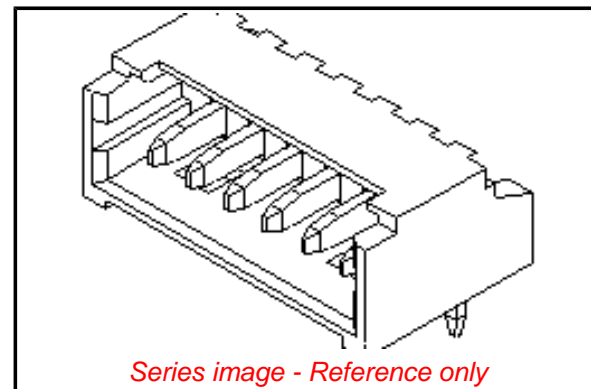
Electrical

Current - Maximum per Contact 1.0A
 Voltage - Maximum 125V

Material Info

Reference - Drawing Numbers

Packaging Specification SPK-53048-001



EU ELV

Not Relevant

EU RoHS

Compliant

REACH SVHC

Contains SVHC(2015
 June 15): No

Halogen-Free

Status

Not Low-Halogen

**Need more information on product
 environmental compliance?**

Email productcompliance@molex.com
 Please visit the [Contact Us](#) section for any
 non-product compliance questions.

China ROHS

ELV

Green Image

Not Relevant

Search Parts in this Series

[53048 Series](#)

Mates With

[51021 PicoBlade™ Wire-to-Wire](#)

Product Specification

Sales Drawing

PS-51021-010, RPS-51021-007, RPS-51021-011,
RPS-51021-048, RPS-51021-059, RPS-51021-060,
RPS-51021-071, RPS-51021-089, RPS-51021-104
SD-53048-**10, SD-53048-001

This document was generated on 10/15/2015

PLEASE CHECK WWW.MOLEX.COM FOR LATEST PART INFORMATION