

[Molex.com](#)

English
日本語
한국어
简体中文

[Register | Login](#)
[My Parts \(0 items \)](#)

Search site:Search: [Go](#)

- Product Name**
- Cross-Ref**
- Catalog**
- Literature**
- Industries**
- Standards**
- Contact Us**
- About Us**
- Investors**
- Careers**

- [Connectors](#)
- [Sockets](#)
- [I/O Connectors](#)
- [Cable Assemblies](#)
- [Fiber Optics](#)
- [Printed Circuit Products](#)
- [Industrial Products](#)
- [Lighting Products](#)

Switch Language

- [Home](#)
- [PCB Headers](#)
- [Datasheet](#)

Need Assistance?

- [Contact Us](#)
- [Find a Distributor](#)
- [Order Samples](#)
- [Tech Library](#)
- [Ecocare](#)
- [Electrical Models](#)

[Printer-friendly page](#)

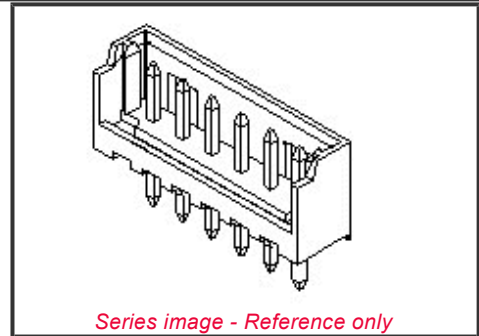
[Email this page](#)

Part Number:
0532530570

Status:
Active

Overview:
Micro-Latch™

Description:
2.00mm (.079") Pitch Micro-Latch™ Wire-to-Board Header, Vertical, Square Pin, Three-sided Shroud, Lead-free, 5 Circuits



Documents: *Note - Please disable browser pop-up blockers for documents on www.molex.com*

[Drawing \(PDF\)](#)

[Product Specification PS-51065-016 \(PDF\)](#)

[3D Model](#)

EU RoHS
ELV and RoHS
Compliant

China RoHS



REACH SVHC
Contains SVHC: No

Halogen-Free
Status
Not Halogen-Free

Need more information on product environmental compliance?

Email productcompliance@molex.com

For a multiple part number RoHS Certificate of Compliance, [click here](#)

Please visit the [Contact Us](#) section for any non-product compliance questions.

Search Parts in this Series

[53253](#)Series

Mates With

[51065](#) Crimp Housing
Link:[50212](#) Crimp Terminal

Order Products:

Part Detail: ([show all](#))

[General](#)[Physical](#)[Electrical](#)[Agency Certification](#)[Material Info](#)[Reference - Drawing Numbers](#)

General

Product Family	PCB Headers
Series	53253
Application	Wire-to-Board
Overview	Micro-Latch™
Product Name	Micro-Latch™

Physical

Breakaway	No
Circuits (Loaded)	5
Durability (mating cycles max)	30
First Mate / Last Break	No
Flammability	94V-0
Glow-Wire Compliant	No
Lock to Mating Part	Yes
Material - Metal	Brass
Material - Plating Mating	Tin
Material - Plating Termination	Tin
Material - Resin	Nylon
Number of Rows	1
Orientation	Vertical
PC Tail Length (in)	0.138 In
PC Tail Length (mm)	3.50 mm
PCB Locator	No
PCB Retention	Yes
PCB Thickness Recommended (in)	0.062 In
PCB Thickness Recommended (mm)	1.60 mm
Packaging Type	Tray
Pitch - Mating Interface (in)	0.079 In
Pitch - Mating Interface (mm)	2.00 mm
Plating min: Mating (µin)	40
Plating min: Mating (µm)	1.00
Plating min: Termination (µin)	40
Plating min: Termination (µm)	1.00
Polarized to Mating Part	Yes
Polarized to PCB	No
Shrouded	Partial
Stackable	No
Surface Mount Compatible (SMC)	No
Temperature Range - Operating	-40°C to +105°C
Termination Interface: Style	Through Hole

Electrical(Please review the Product Specification for specific details.)

Current - Maximum per Contact	2A
Voltage - Maximum	125V

Agency Certification

CSA	LR19980
UL	E29179

Material Info

Reference - Drawing Numbers

Product Specification	PS-51065-016, RPS-51065-001, RPS-51065-006, RPS-51065-007, RPS-51065-013, RPS-51065-015, RPS-51065-023, RPS-51065-026, RPS-51065-027, RPS-51065-028, RPS-51065-030
Sales Drawing	SD-51065-006, SD-53253-001

- [Feedback](#)
- [Privacy](#)
- [Legal](#)
- [Site Map](#)
- [Help](#)

• Find us on

Copyright 2005-2010

