

[Molex.com](#)

English
日本語
한국어
简体中文

[Register | Login](#)
[My Parts \(0 items \)](#)

Search site:Search: [Go](#)

- Product Name**
- Cross-Ref**
- Catalog**
- Literature**
- Industries**
- Standards**
- Contact Us**
- About Us**
- Investors**
- Careers**

- [Connectors](#)
- [Sockets](#)
- [I/O Connectors](#)
- [Cable Assemblies](#)
- [Fiber Optics](#)
- [Printed Circuit Products](#)
- [Industrial Products](#)
- [Lighting Products](#)

Switch Language

- [Home](#)
- [PCB Headers](#)
- [Datasheet](#)

Need Assistance?

- [Contact Us](#)
- [Find a Distributor](#)
- [Order Samples](#)
- [Tech Library](#)
- [Ecocare](#)
- [Electrical Models](#)

[Printer-friendly page](#)

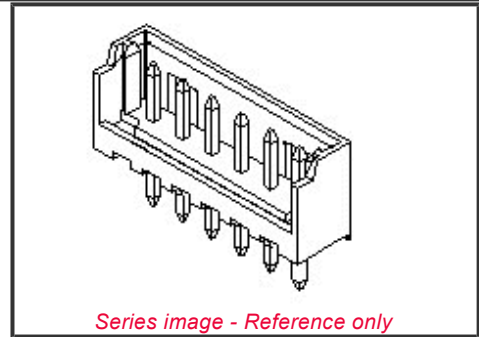
[Email this page](#)

Part Number:
0532530870

Status:
Active

Overview:
Micro-Latch™

Description:
2.00mm (.079") Pitch Micro-Latch™ Wire-to-Board Header, Vertical, Square Pin, Three-sided Shroud, Lead-free, 8 Circuits



Documents: *Note - Please disable browser pop-up blockers for documents on www.molex.com*

[Drawing \(PDF\)](#)

[Product Specification PS-51065-016 \(PDF\)](#)

[3D Model](#)

EU RoHS
ELV and RoHS
Compliant

China RoHS



REACH SVHC
Contains SVHC: No

Halogen-Free
Status
Not Halogen-Free

Need more information on product environmental compliance?Email productcompliance@molex.comFor a multiple part number RoHS Certificate of Compliance, [click here](#)Please visit the [Contact Us](#) section for any non-product compliance questions.**Search Parts in this Series**[53253Series](#)**Mates With**[51065](#) Crimp HousingLink:[50212](#) Crimp Terminal**Order Products:****Part Detail:** ([show all](#))[General](#)[Physical](#)[Electrical](#)[Agency Certification](#)[Material Info](#)[Reference - Drawing Numbers](#)**General**

| | |
|----------------|------------------------------|
| Product Family | PCB Headers |
| Series | 53253 |
| Application | Wire-to-Board |
| Overview | Micro-Latch™ |
| Product Name | Micro-Latch™ |

Physical

| | |
|--------------------------------|-----------------|
| Breakaway | No |
| Circuits (Loaded) | 8 |
| Durability (mating cycles max) | 30 |
| First Mate / Last Break | No |
| Flammability | 94V-0 |
| Glow-Wire Compliant | No |
| Lock to Mating Part | Yes |
| Material - Metal | Brass |
| Material - Plating Mating | Tin |
| Material - Plating Termination | Tin |
| Material - Resin | Nylon |
| Number of Rows | 1 |
| Orientation | Vertical |
| PC Tail Length (in) | 0.138 In |
| PC Tail Length (mm) | 3.50 mm |
| PCB Locator | No |
| PCB Retention | Yes |
| PCB Thickness Recommended (in) | 0.062 In |
| PCB Thickness Recommended (mm) | 1.60 mm |
| Packaging Type | Tray |
| Pitch - Mating Interface (in) | 0.079 In |
| Pitch - Mating Interface (mm) | 2.00 mm |
| Plating min: Mating (µin) | 40 |
| Plating min: Mating (µm) | 1.00 |
| Plating min: Termination (µin) | 40 |
| Plating min: Termination (µm) | 1.00 |
| Polarized to Mating Part | Yes |
| Polarized to PCB | No |
| Shrouded | Partial |
| Stackable | No |
| Surface Mount Compatible (SMC) | No |
| Temperature Range - Operating | -40°C to +105°C |
| Termination Interface: Style | Through Hole |

Electrical(Please review the Product Specification for specific details.)

| | |
|-------------------------------|------|
| Current - Maximum per Contact | 2A |
| Voltage - Maximum | 125V |

Agency Certification

| | |
|-----|---------|
| CSA | LR19980 |
| UL | E29179 |

Material Info

Reference - Drawing Numbers

| | |
|-----------------------|--------------------------------------------------------------------------------------------------------------------------------------------------------------------|
| Product Specification | PS-51065-016, RPS-51065-001, RPS-51065-006, RPS-51065-007, RPS-51065-013, RPS-51065-015, RPS-51065-023, RPS-51065-026, RPS-51065-027, RPS-51065-028, RPS-51065-030 |
| Sales Drawing | SD-51065-006, SD-53253-001 |

- [Feedback](#)
- [Privacy](#)
- [Legal](#)
- [Site Map](#)
- [Help](#)

• Find us on

Copyright 2005-2010

