

PLEASE CHECK WWW.MOLEX.COM FOR LATEST PART INFORMATION

Part Number: [0536270674](#)

Status: **Active**

Overview:

Description: 0.635mm (.025") Pitch SlimStack™ Header, Surface Mount, Dual Row, Vertical Stacking, 10.00 and 16.00mm (.394 and .630") Stacking Heights, Lead-free, 60 Circuits, with Embossed Tape with Cover Packaging

Documents:

[3D Model](#)

[Product Specification PS-52760-015 \(PDF\)](#)

[Drawing \(PDF\)](#)

[RoHS Certificate of Compliance \(PDF\)](#)

General

Product Family	PCB Headers
Series	53627
Application	Board-to-Board
Comments	Stacking-Type
Overview	SlimStack™
Product Name	SlimStack™

Physical

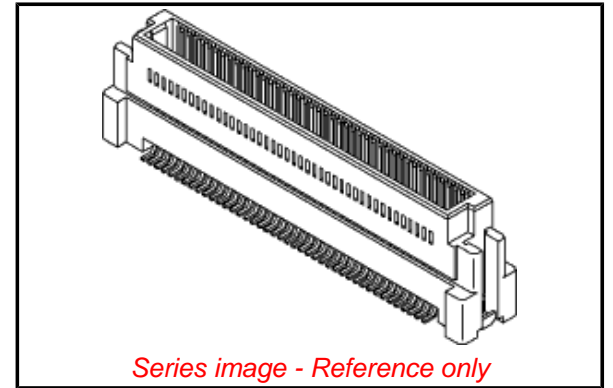
Breakaway	No
Circuits (Loaded)	60
Color - Resin	Brown
Durability (mating cycles max)	50
First Mate / Last Break	No
Glow-Wire Compliant	No
Guide to Mating Part	No
Keying to Mating Part	None
Lock to Mating Part	Yes
Mated Height (in)	0.394 In
Mated Height (in)	0.630 In
Mated Height (mm)	10.00 mm
Mated Height (mm)	16.00 mm
Material - Metal	Copper Alloy
Material - Metal	Phosphor Bronze
Material - Metal	Stainless Steel
Material - Plating Mating	Gold
Material - Plating Termination	Tin
Number of Rows	2
Orientation	Vertical
PCB Locator	Yes
PCB Retention	Yes
Packaging Type	Embossed Tape on Reel
Pitch - Mating Interface (in)	0.025 In
Pitch - Mating Interface (mm)	0.64 mm
Polarized to PCB	Yes
Robotic Placement	Metal Cap
Shrouded	Fully
Temperature Range - Operating	-55°C to +85°C
Termination Interface: Style	Surface Mount

Electrical

Current - Maximum	0.5A
Voltage - Maximum	100V

Material Info

Reference - Drawing Numbers



EU RoHS

ELV and RoHS Compliant
REACH SVHC Contains SVHC: No
Halogen-Free Status

China RoHS



Not Reviewed

Need more information on product environmental compliance?

Email productcompliance@molex.com
Please visit the [Contact Us](#) section for any non-product compliance questions.

Search Parts in this Series

[53627 Series](#)

Mates With

SlimStack™ Receptacle [52760](#) , [52837](#) , [52885](#) , [52901](#)

Product Specification	PS-52760-015
Product Specification	RPS-52760-017
Product Specification	RPS-52760-018
Product Specification	RPS-52760-020
Product Specification	RPS-52760-021
Product Specification	RPS-52760-025
Product Specification	RPS-52760-028
Product Specification	RPS-52760-029
Product Specification	RPS-52885-007
Product Specification	RPS-52885-008
Product Specification	RPS-52885-009
Sales Drawing	SD-53627-001
Sales Drawing	SD-53627-002

This document was generated on 11/05/2009

PLEASE CHECK WWW.MOLEX.COM FOR LATEST PART INFORMATION